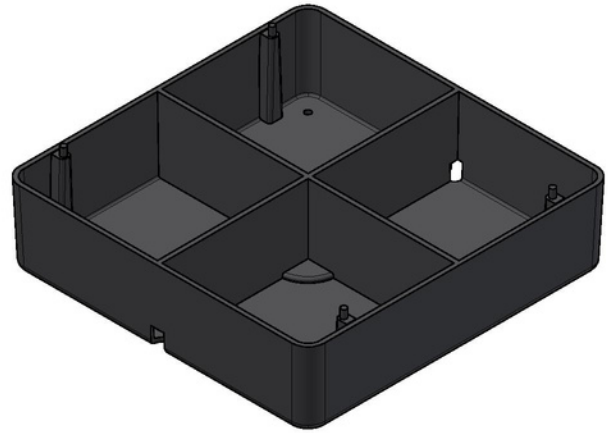
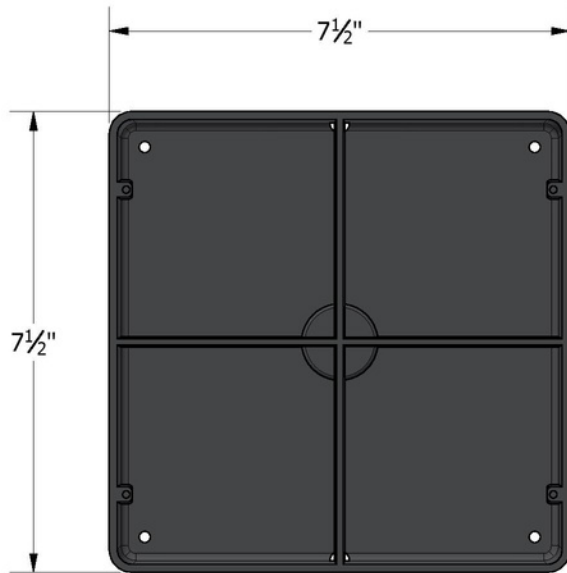
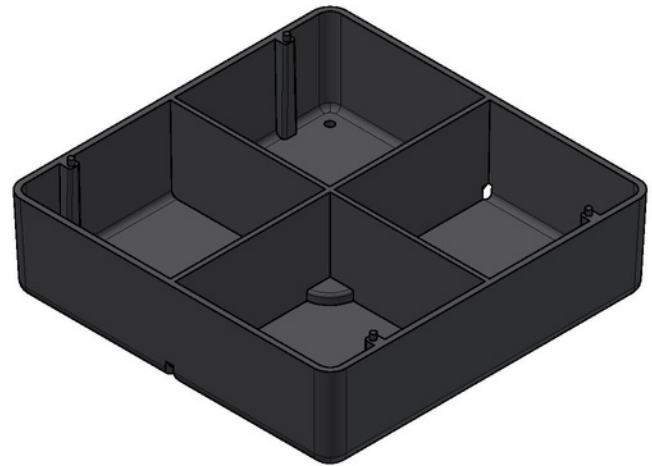
**TOP VIEW****ISOMETRIC VIEW****SIDE VIEW****Product Description**

- The Model 1.5 Spacer is 6" square with gently rounded edges to prevent gouging the roof.
- The 1.5 Spacer accessory adds an additional 1-1/2" of height per spacer.
- Manufacturer recommends a maximum of (2) spacer be used.
- Four drainage ports are provided to prevent ponding within the device.
- Unit Weight: 0.34 lbs.
- 32 per case (12lbs.) - *24 lbs. Shipping Weight*
- 64 per case (24 lbs.)

MATERIAL INFORMATION

- Base Material: Polycarbonate

**TOP VIEW****ISOMETRIC VIEW****FRONT VIEW****Product Description**

- The Model 3-R Spacer is 7-1/2" square with gently rounded edges to prevent gouging the roof.
- The 3-R Spacer accessory adds an additional 2" of height per spacer.
- Manufacturer recommends a maximum of (2) spacer be used.
- Four drainage ports are provided to prevent ponding within the device.
- Unit Weight: 0.77 lbs.
- 24 per case (18lbs.)

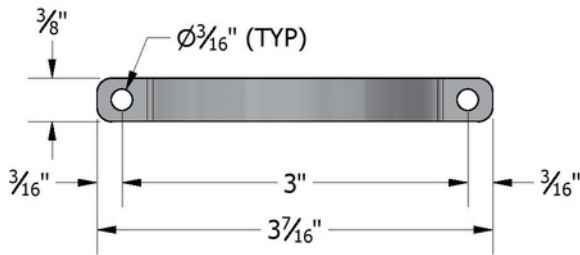
MATERIAL INFORMATION

- Base Material: Polycarbonate

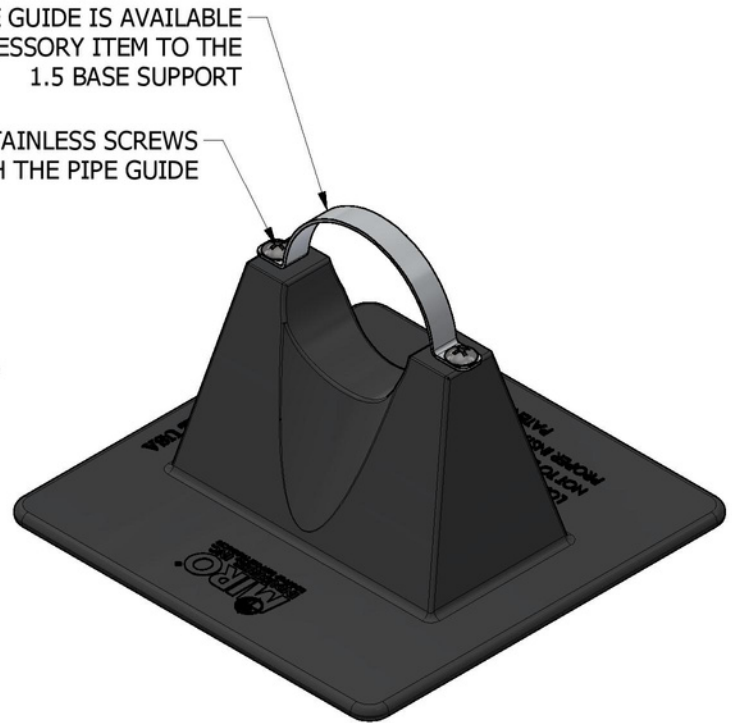


THE 1.5 PIPE GUIDE IS AVAILABLE AS AN ACCESSORY ITEM TO THE 1.5 BASE SUPPORT

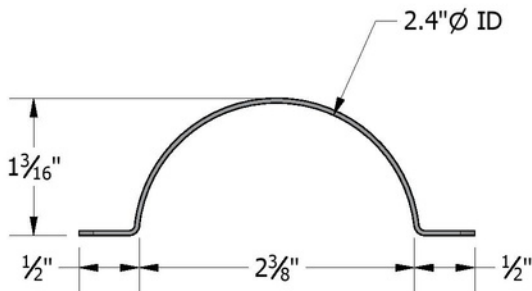
#8 PHILLIPS STAINLESS SCREWS INCLUDED WITH THE PIPE GUIDE



TOP VIEW



ISOMETRIC VIEW



FRONT VIEW

Product Description

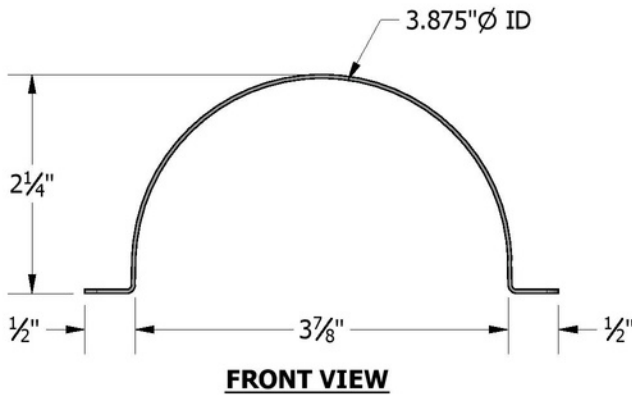
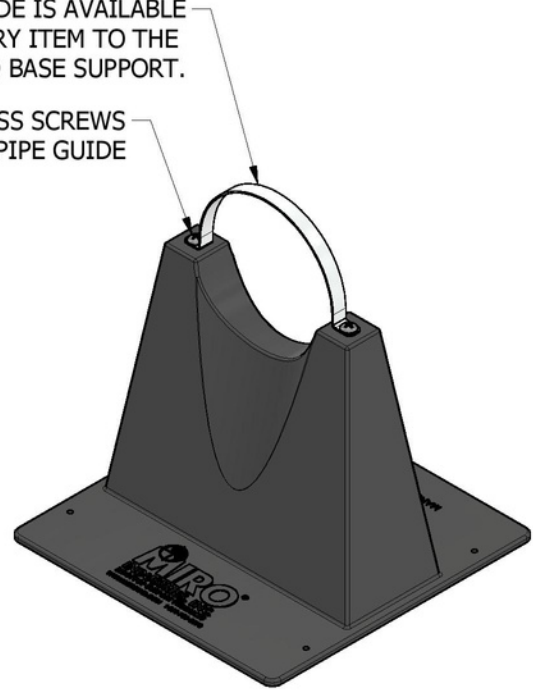
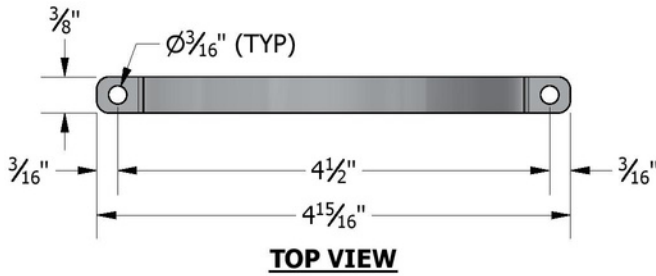
MIRO Industries pipe guides are designed to attach to MIRO Industries pipe supports allowing the pipe to freely expand and contract on the support but also maintain placement of the pipe on the stand. All pipe guides will ship separately and need to be installed on site. Pipe guides are not intended to be rigidly attached to or bind the pipe from natural movement of the pipe.

Strap material is a 18 ga. (.040) aluminum 5052 alloy temper H32 ASTM B-209-0. Included with the 1.5, 3.0 and 3-R pipe guides are #8 stainless steel screws that are to be used to mount through pre-punched holds in the strap down into the polycarbonate pipe supports. This can be done by using a phillips head screwdriver.



THE 3.0 PIPE GUIDE IS AVAILABLE AS AN ACCESSORY ITEM TO THE 3.0 BASE SUPPORT.

#8 PHILLIPS STAINLESS SCREWS INCLUDED WITH THE PIPE GUIDE



Product Description

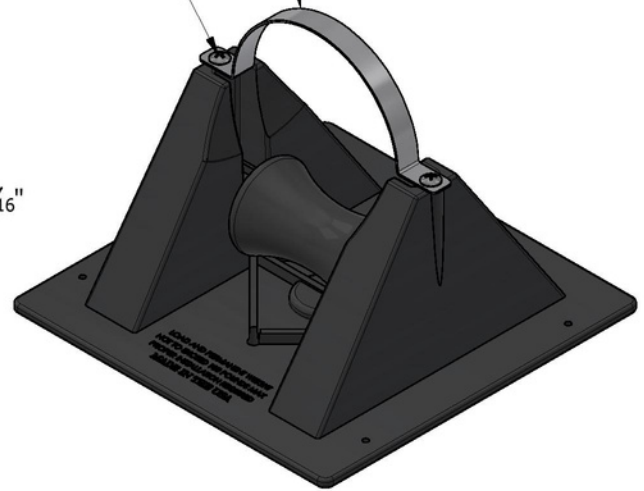
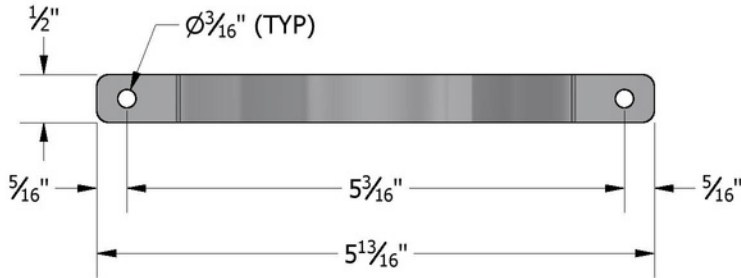
MIRO Industries pipe guides are designed to attach to MIRO Industries pipe supports allowing the pipe to freely expand and contract on the support but also maintain placement of the pipe on the stand. All pipe guides will ship separately and need to be installed on site. Pipe guides are not intended to be rigidly attached to or bind the pipe from natural movement of the pipe.

Strap material is a 18 ga. (.040) aluminum 5052 alloy temper H32 ASTM B-209-0. Included with the 1.5, 3.0 and 3-R pipe guides are #8 stainless steel screws that are to be used to mount through pre-punched holds in the strap down into the polycarbonate pipe supports. This can be done by using a phillips head screwdriver.

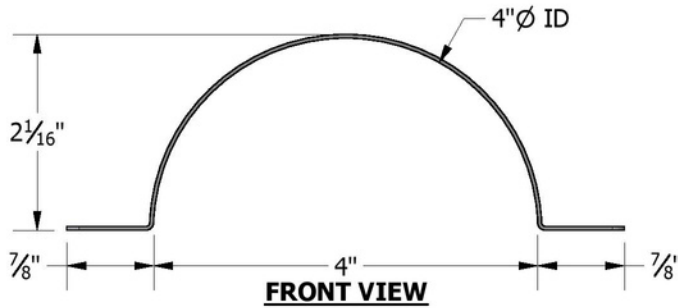


THE 3-R-2 PIPE GUIDE IS AVAILABLE AS AN ACCESSORY ITEM TO THE 3-R-2 BASE SUPPORT

#8 PHILLIPS STAINLESS SCREWS INCLUDED WITH THE PIPE GUIDE



ISOMETRIC VIEW



FRONT VIEW

Product Description

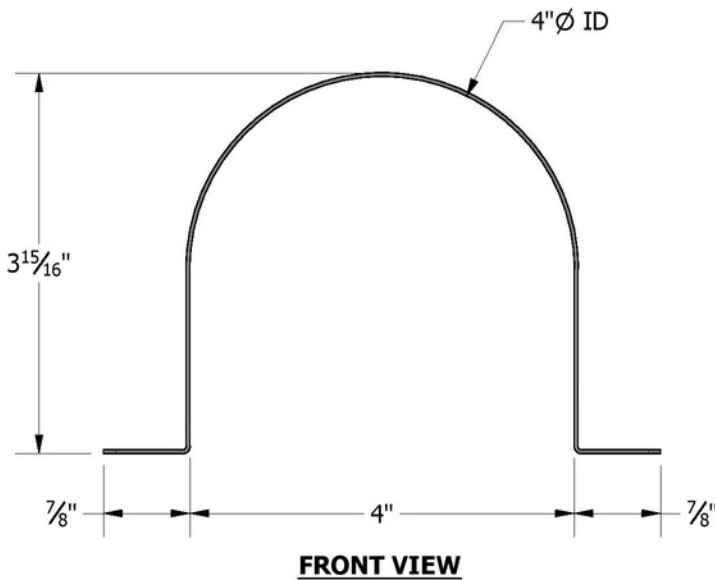
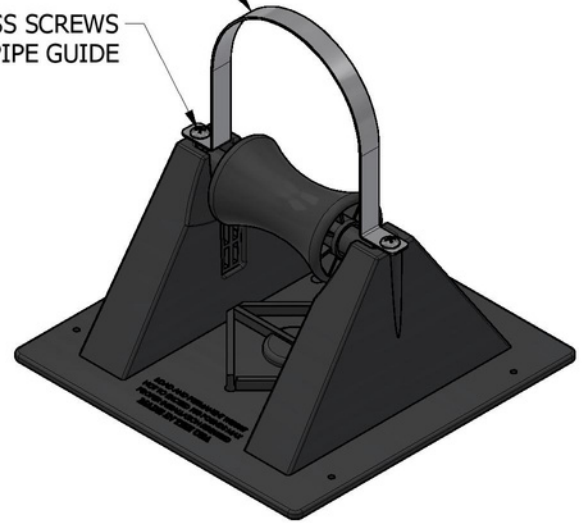
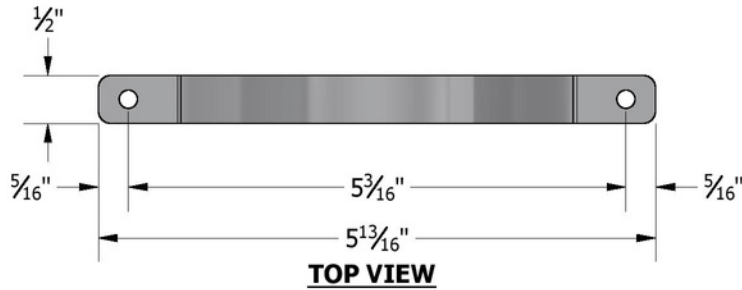
MIRO Industries pipe guides are designed to attach to MIRO Industries pipe supports allowing the pipe to freely expand and contract on the support but also maintain placement of the pipe on the stand. All pipe guides will ship separately and need to be installed on site. Pipe guides are not intended to be rigidly attached to or bind the pipe from natural movement of the pipe.

Strap material is a 18 ga. (.040) aluminum 5052 alloy temper H32 ASTM B-209-0. Included with the 1.5, 3.0 and 3-R pipe guides are #8 stainless steel screws that are to be used to mount through pre-punched holds in the strap down into the polycarbonate pipe supports. This can be done by using a phillips head screwdriver.



THE 3-R-4 PIPE GUIDE IS AVAILABLE AS AN ACCESSORY ITEM TO THE 3-R-4 BASE SUPPORT

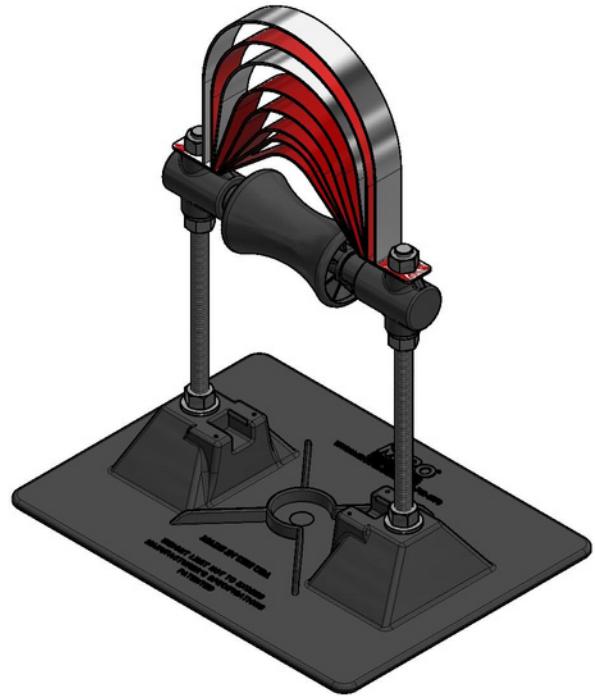
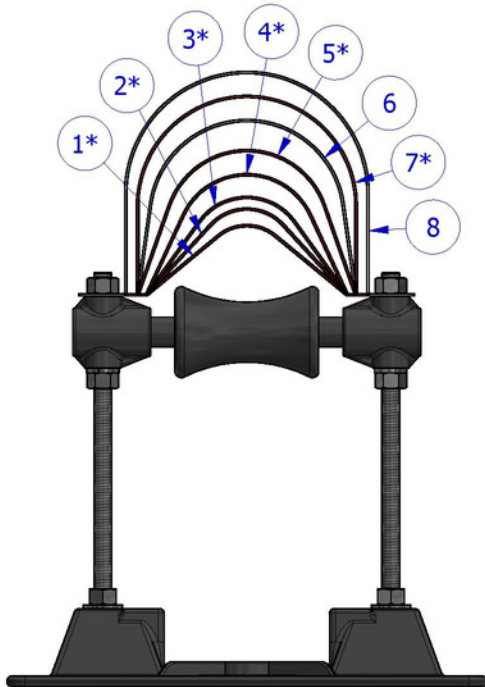
#8 PHILLIPS STAINLESS SCREWS INCLUDED WITH THE PIPE GUIDE



Product Description

MIRO Industries pipe guides are designed to attach to MIRO Industries pipe supports allowing the pipe to freely expand and contract on the support but also maintain placement of the pipe on the stand. All pipe guides will ship separately and need to be installed on site. Pipe guides are not intended to be rigidly attached to or bind the pipe from natural movement of the pipe.

Strap material is a 18 ga. (.040) aluminum 5052 alloy temper H32 ASTM B-209-0. Included with the 1.5, 3.0 and 3-R pipe guides are #8 stainless steel screws that are to be used to mount through pre-punched holds in the strap down into the polycarbonate pipe supports. This can be done by using a phillips head screwdriver.



PRODUCT DESCRIPTION

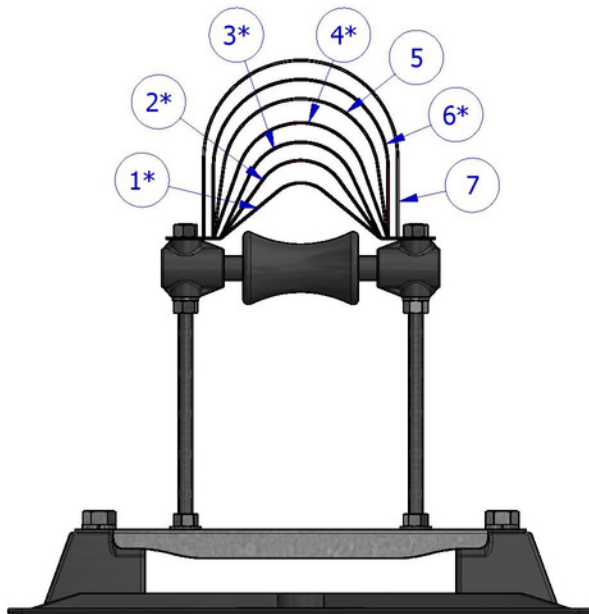
MIRO Industries 3-RAH Pipe Guides are designed specifically for the 3-RAH series supports. All pipe guides will ship separately and need to be installed on site. It is important to note that pipe guides should not be rigidly attached to the actual pipe that is placed on the pipe stand, thus allowing for expansion and contraction to occur within the pipestand.

KEY INFORMATION

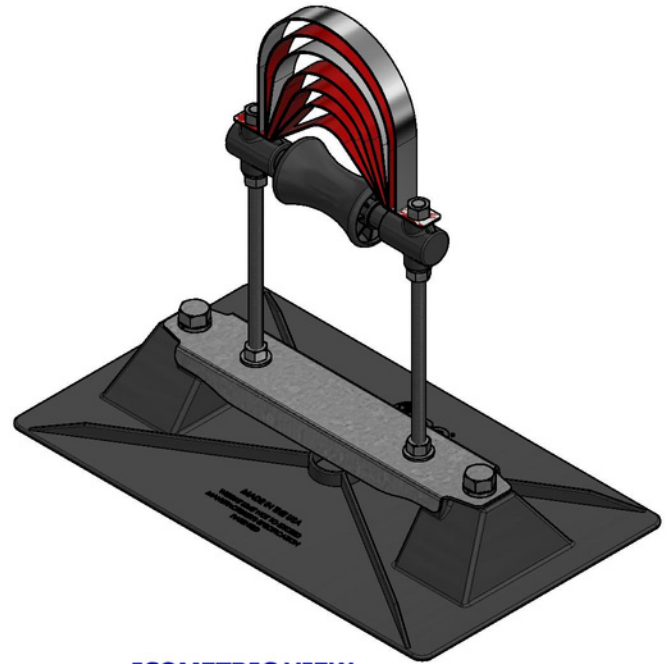
- 3-RAH Pipe Guides can be used on all 3-RAH and 4-RAH Supports.
- Designed to support up to a 3" bare schedule 40 steel pipe.
- Pipe guides are made of 16 ga. aluminum 5052 alloy temper H32 per ASTM B-209-0.
- Custom size pipe guides can be manufactured as requested.

PARTS LIST		
ITEM	PART NUMBER	DESCRIPTION
1*	PG 3-RAH 1 - 16 ga. ALUM	1 inch Pipe Guide for 3 or 4 RAH Series Supports - 16 ga. Alum
2*	PG 3-RAH 1.25 - 16 ga ALUM	1.25 inch Pipe Guide for 3 & 4 RAH Series - 16 ga. Alum
3*	PG 3-RAH 1.5 - 16 ga ALUM	1.5 inch Pipe Guide for 3 & 4 RAH Series - 16 ga. Alum
4*	PG 3-RAH 2 - 16 ga ALUM	2 inch Pipe Guide for 3 & 4 RAH Series - 16 ga. Alum
5*	PG 3-RAH 2.5 - 16 ga ALUM	2.5 inch Pipe Guide for 3 & 4 RAH Series - 16 ga. Alum
6	PG 3-RAH 3 - 16 ga ALUM	3 inch Pipe Guide for 3 & 4 RAH Series - 16 ga Alum
7*	PG 3-RAH 3.5 - 16 ga ALUM	3.5 inch Pipe Guide for 3 & 4 RAH Series - 16 ga. Alum
8	PG 3-RAH 4 - 16 ga ALUM	4 inch Pipe Guide for 3 & 4 RAH Series - 16 ga. Alum.

*Custom item, lead times may vary



FRONT VIEW



ISOMETRIC VIEW

PRODUCT DESCRIPTION

MIRO Industries 4-RAH Pipe Guides are designed specifically for the 4-RAH series supports. All pipe guides will ship separately and need to be installed on site.

It is important to note that pipe guides should not be rigidly attached to the actual pipe that is placed on the pipe stand, thus allowing for expansion and contraction to occur within the pipestand.

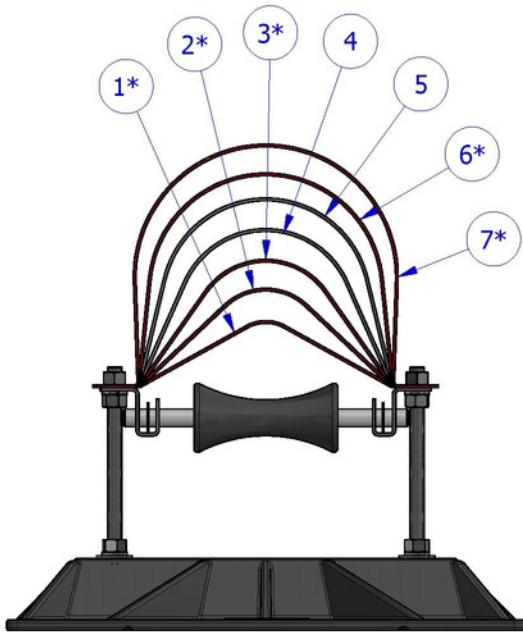
KEY INFORMATION

- 4-RAH Pipe Guides can be used on all 3-RAH and 4-RAH Supports.
- Designed to support up to a 4" bare schedule 40 steel pipe.
- Pipe guides are made of 16 ga. aluminum 5052 alloy temper H32 per ASTM B-209-0.
- Custom size pipe guides can be manufactured as requested.

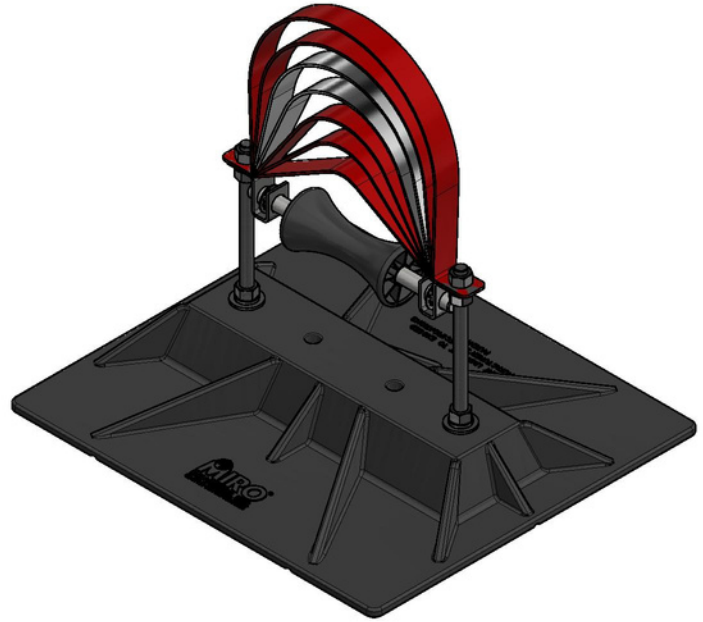
PARTS LIST

ITEM	PART NUMBER	DESCRIPTION
1*	PG 3-RAH 1 - 16 ga. Alum	1 inch Pipe Guide for 3 or 4 RAH Series Supports - 16 ga. Alum
2*	PG 3-RAH 1.5 - 16 ga ALUM	1.5 inch Pipe Guide for 3 & 4 RAH Series - 16 ga. Alum
3*	PG 3-RAH 2 - 16 ga ALUM	2 inch Pipe Guide for 3 & 4 RAH Series - 16 ga. Alum
4*	PG 3-RAH 2.5 - 16 ga ALUM	2.5 inch Pipe Guide for 3 & 4 RAH Series - 16 ga. Alum
5	PG 3-RAH 3 - 16 ga ALUM	3 inch Pipe Guide for 3 & 4 RAH Series - 16 ga Alum
6*	PG 3-RAH 3.5 - 16 ga ALUM	3.5 inch Pipe Guide for 3 & 4 RAH Series - 16 ga. Alum
7	PG 3-RAH 4 - 16 ga ALUM	4 inch Pipe Guide for 3 & 4 RAH Series - 16 ga. Alum.
8*	PG 3-RAH 5.5 - 16 ga ALUM	5.5 inch Pipe Guide for 3 & 4 RAH Series - 16 ga. Alum

*Custom item, lead times may vary



FRONT VIEW



ISOMETRIC VIEW

PRODUCT DESCRIPTION

MIRO Industries 6-RAH Pipe Guides are designed specifically for the 5-RAH and 6-RAH series supports. All pipe guides will ship separately and need to be installed on site.

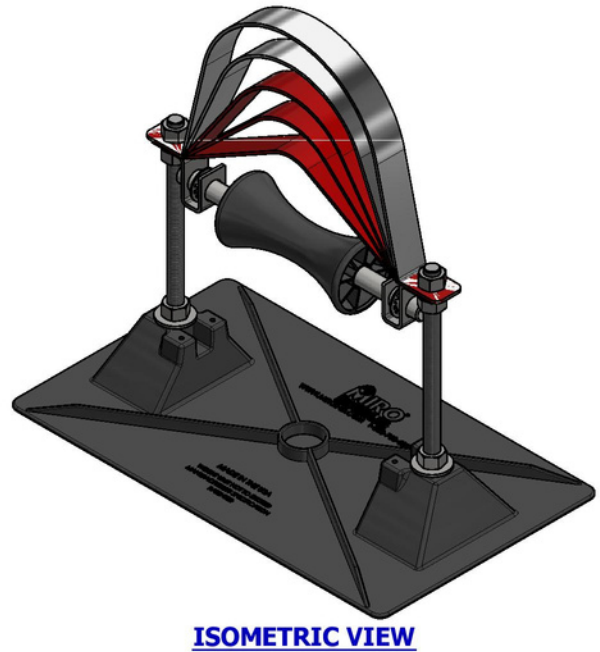
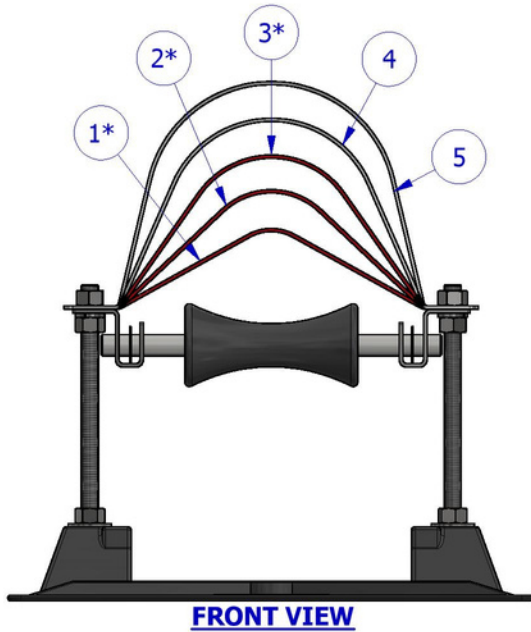
It is important to note that pipe guides should not be rigidly attached to the actual pipe that is placed on the pipe stand, thus allowing for expansion and contraction to occur within the pipestand.

KEY INFORMATION

- 6-RAH Pipe Guides can be used on all 5-RAH and 6-RAH Supports.
- Designed to support up to a 6" bare schedule 40 steel pipe.
- Pipe strap is made of 10 ga. aluminum 5052 alloy temper H32 per ASTM B-209-0.
- Custom size pipe guides can be manufactured as requested.

PARTS LIST		
ITEM	PART NUMBER	DESCRIPTION
1*	PG 6-RAH 2 - 10 ga. ALUM	2 inch Pipe Guide for 5 & 6 RAH Series - 10 ga. Alum
2*	PG 6-RAH 3 - 10 ga. ALUM	3 inch Pipe Guide for 5 & 6 RAH Series - 10 ga. Alum
3*	PG 6-RAH 4 - 10 ga. ALUM	4 inch Pipe Guide for 5 & 6 RAH Series - 10 ga. Alum
4	PG 6-RAH 5 - 10 ga. ALUM	5 inch Pipe Guide for 5 & 6 RAH Series - 10 ga. Alum
5	PG 6-RAH 6 - 10 ga. ALUM	6 inch Pipe Guide for 5 & 6 RAH Series - 10 ga. Alum
6*	PG 6-RAH 7.5 - 10 ga. ALUM	7.5 inch Pipe Guide for 5 & 6 RAH Series - 10 ga. Alum
7*	PG 6-RAH 8.5 - 10 ga. ALUM	8.5 inch Pipe Guide for 5 & 6 RAH Series - 10 ga. Alum

*Custom item, lead times may vary



PRODUCT DESCRIPTION

MIRO Industries 5-RAH Pipe Guides are designed specifically for the 5-RAH and 6-RAH series supports. All pipe guides will ship separately and need to be installed on site.

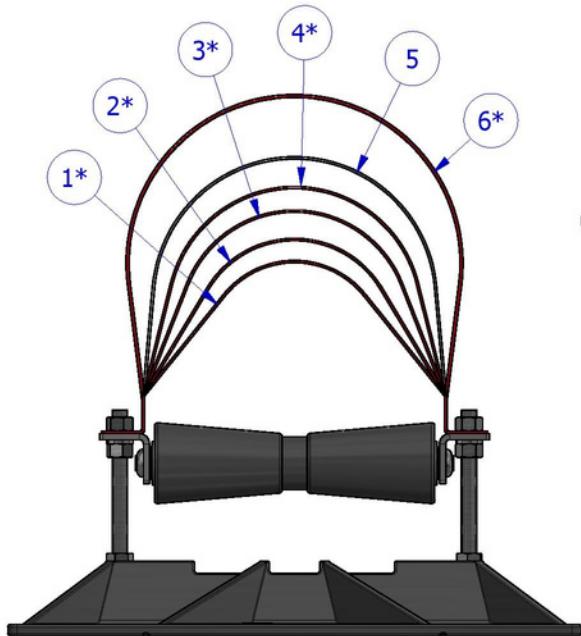
It is important to note that pipe guides should not be rigidly attached to the actual pipe that is placed on the pipe stand, thus allowing for expansion and contraction to occur within the pipestand.

KEY INFORMATION

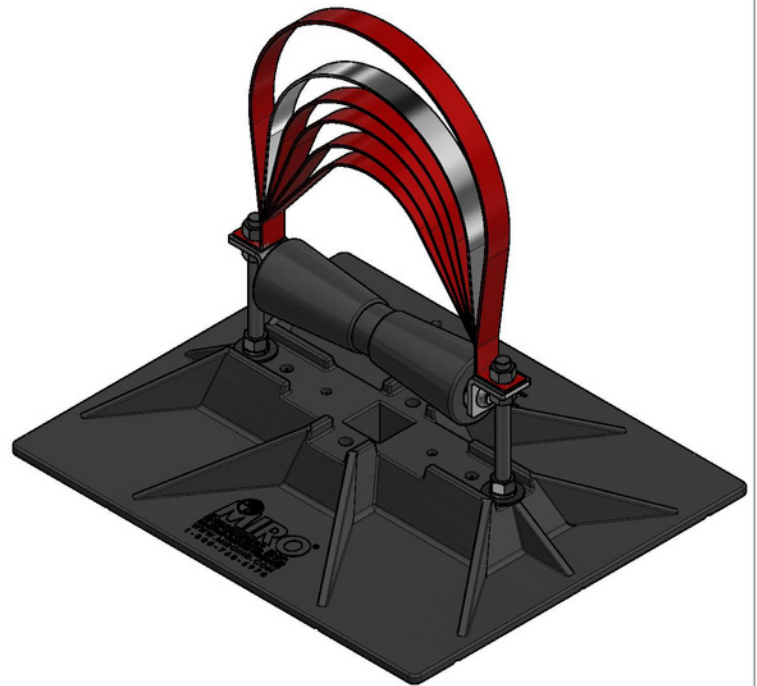
- 5-RAH Pipe Guides can be used on all 5-RAH and 6-RAH Supports.
- Designed to support up to a 5" bare schedule 40 steel pipe.
- Pipe strap is made of 10 ga. aluminum 5052 alloy temper H32 per ASTM B-209-0.
- Custom size pipe guides can be manufactured as requested.

PARTS LIST		
ITEM	PART NUMBER	DESCRIPTION
1*	PG 6-RAH 2 - 10 ga. ALUM	2 inch Pipe Guide for 5 & 6 RAH Series - 10 ga. Alum
2*	PG 6-RAH 3 - 10 ga. ALUM	3 inch Pipe Guide for 5 & 6 RAH Series - 10 ga. Alum
3*	PG 6-RAH 4 - 10 ga. ALUM	4 inch Pipe Guide for 5 & 6 RAH Series - 10 ga. Alum
4	PG 6-RAH 5 - 10 ga. ALUM	5 inch Pipe Guide for 5 & 6 RAH Series - 10 ga. Alum
5	PG 6-RAH 6 - 10 ga. ALUM	6 inch Pipe Guide for 5 & 6 RAH Series - 10 ga. Alum

*Custom item, lead times may vary



FRONT VIEW



ISOMETRIC VIEW

PRODUCT DESCRIPTION

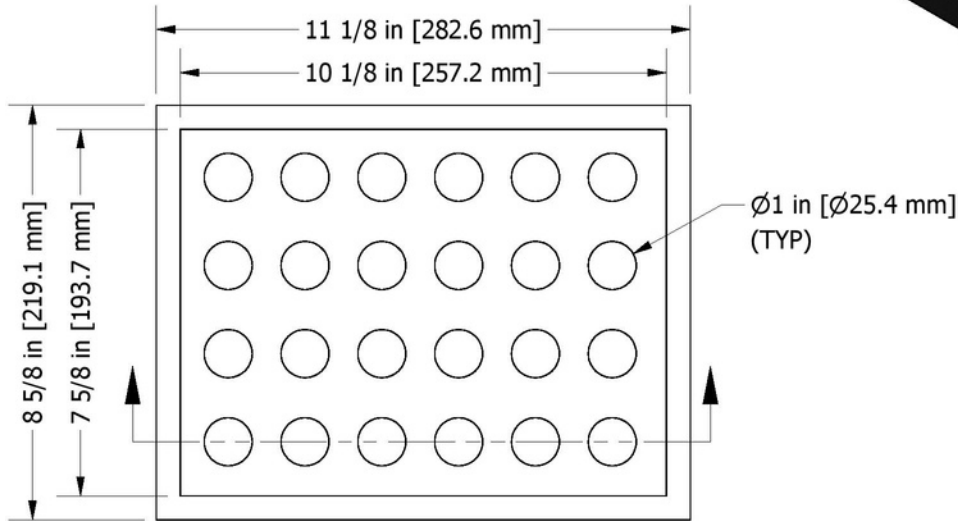
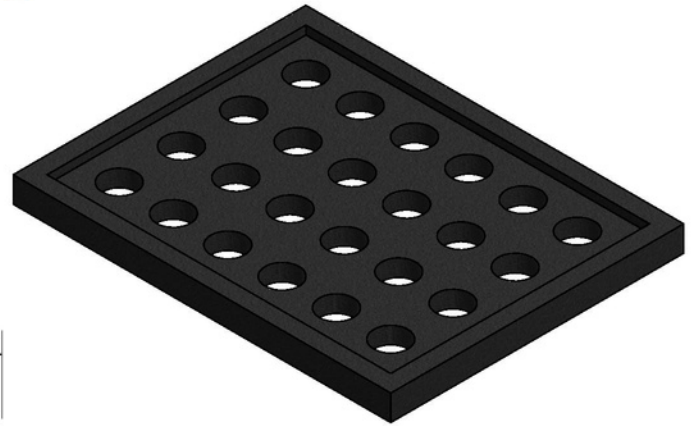
MIRO Industries 10-RAH Pipe Guides are designed specifically for the 8-RAH series supports. All pipe guides will ship separately and need to be installed on site. It is important to note that pipe guides should not be rigidly attached to the actual pipe that is placed on the pipe stand, thus allowing for expansion and contraction to occur within the pipestand.

KEY INFORMATION

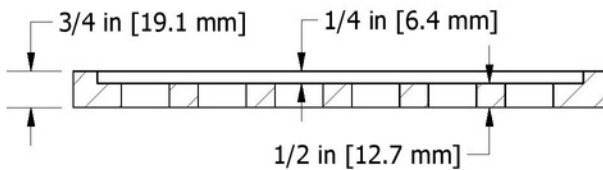
- 10-RAH Pipe Guides can be used on all 10-RAH Supports.
- Designed to support up to a 10" bare schedule 40 steel pipe.
- Pipe strap is made of 10 ga. aluminum 5052 alloy temper H32 per ASTM B-209-0.
- Custom size pipe guides can be manufactured as requested.

PARTS LIST		
ITEM	PART NUMBER	DESCRIPTION
1*	PG 10-RAH 6 - 10 ga. ALUM	PG 10-RAH 6 - 10 ga. ALUM
2*	PG 10-RAH 7 - 10 ga. ALUM	PG 10-RAH 7 - 10 ga. ALUM
3*	PG 10-RAH 8 - 10 ga. ALUM	PG 10-RAH 8 - 10 ga. ALUM
4*	PG 10-RAH 9 - 10 ga. ALUM	PG 10-RAH 9 - 10 ga. ALUM
5	PG 10-RAH 10 - 10 ga. ALUM	PG 10-RAH 10 - 10 ga. ALUM
6*	PG 10-RAH 12 - 10 ga. ALUM	PG 10-RAH 12 - 10 ga. ALUM

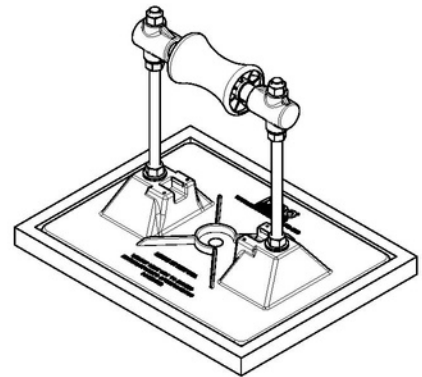
*Custom item, lead times may vary



TOP VIEW



SECTION VIEW



**MIRO 3-RAH-8 (NOT INCLUDED)
ON A 7-1/2x10 SUPPORT PAD**

PRODUCT DESCRIPTION

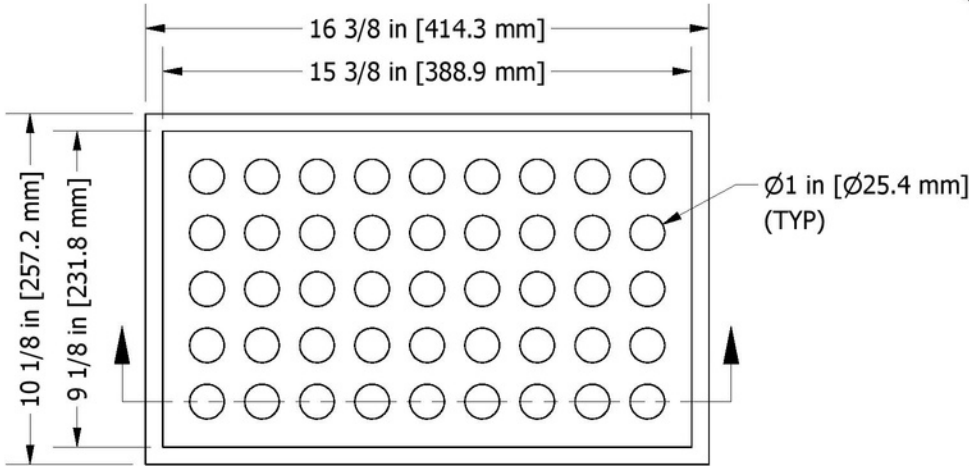
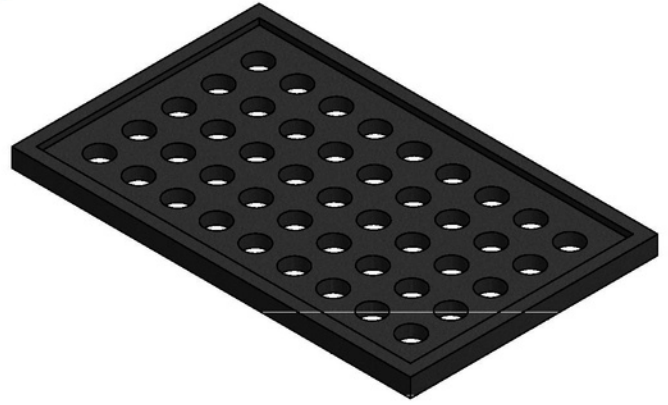
Custom support pad designed specifically to fit the MIRO 7-1/2"x10" [190.5x254 mm] polycarbonate non-penetrating base. The slip resistant pad is designed with a small lip to hold the base to the pad and reduce movement on the rooftop. The holes in the pad saves weight and allows for venting and drainage. The pad is heat molded using 100% recycled rubber.

KEY INFORMATION

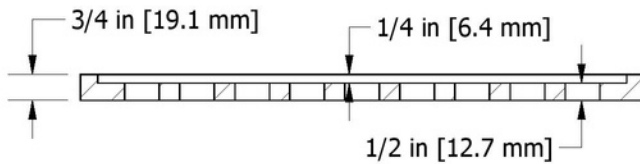
Custom fitted support pad for the MIRO 7-1/2"x10" [190.5x254 mm] polycarbonate base.

To be used with MIRO Models:

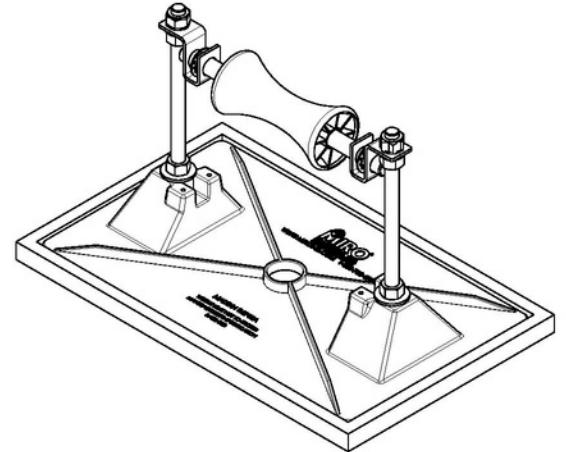
- 3-RAH-8 & 3-RAH-12
- 2.5-Conduit Support-2, 5, 8 & 12
- 24-Base Strut-5 (qty: 2)
- 36-Base Strut-5 (qty: 3)
- 48-Base Strut-5 (qty: 4)
- LD Mechanical Supports (qty: 4)



TOP VIEW



SECTION VIEW



**MIRO 5-RAH-8 (NOT INCLUDED)
ON A 9x15-1/4 SUPPORT PAD**

PRODUCT DESCRIPTION

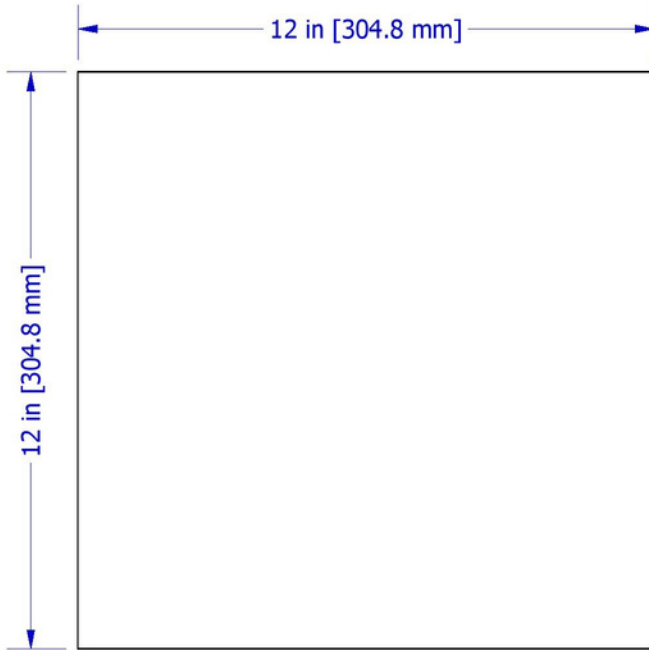
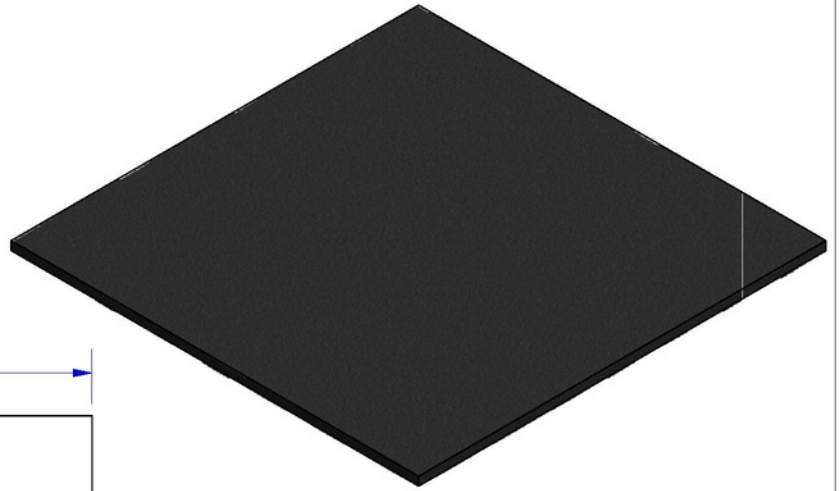
Custom support pad designed specifically to fit the MIRO 9"x15-1/4" [228.6x387.35 mm] polycarbonate non-penetrating base. The slip resistant pad is designed with a small lip to hold the base to the pad and reduce movement on the rooftop. The holes in the pad saves weight and allows for venting and drainage. The pad is heat molded using 100% recycled rubber.

KEY INFORMATION

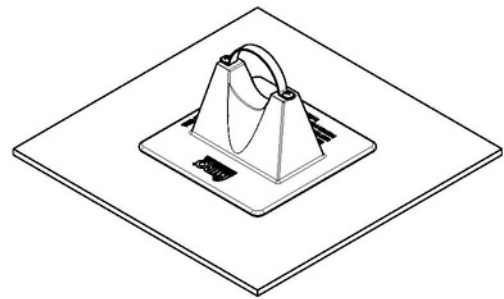
Custom fitted support pad for the MIRO 9"x15-1/4" [228.6x387.35 mm] polycarbonate base.

To be used with MIRO Models:

- 4-RAH-10 & 14
- 5-RAH-8 & 12
- 12-Base Strut 8 & 12
- 6-HD Mechanical Supports (qty: 4 min)
- 6-H Series (qty: 2 min)
- 6-DS Series (qty: 2 min)



TOP VIEW



**MIRO 1.5 SUPPORT (NOT INCLUDED)
ON A 12x12 SUPPORT PAD**



SECTION VIEW

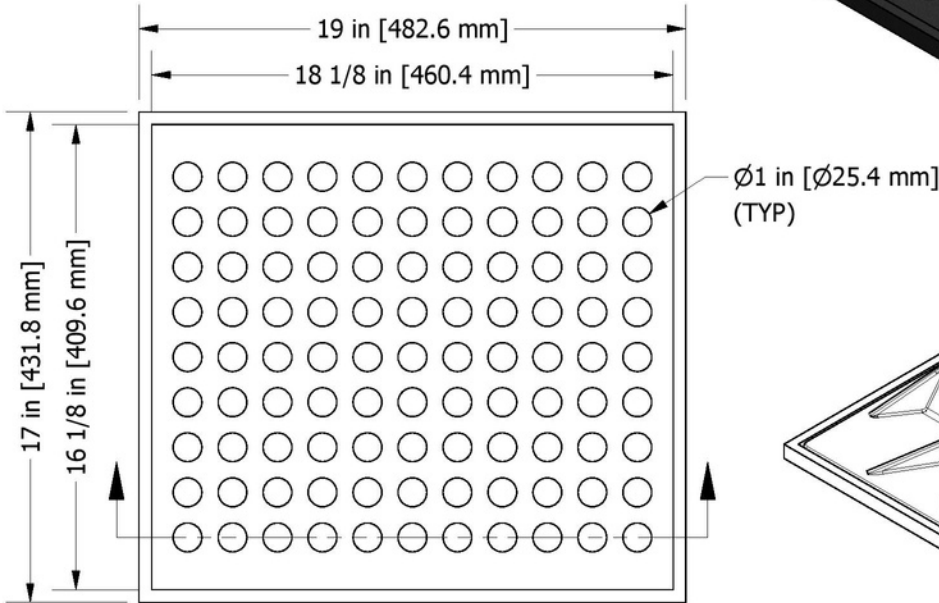
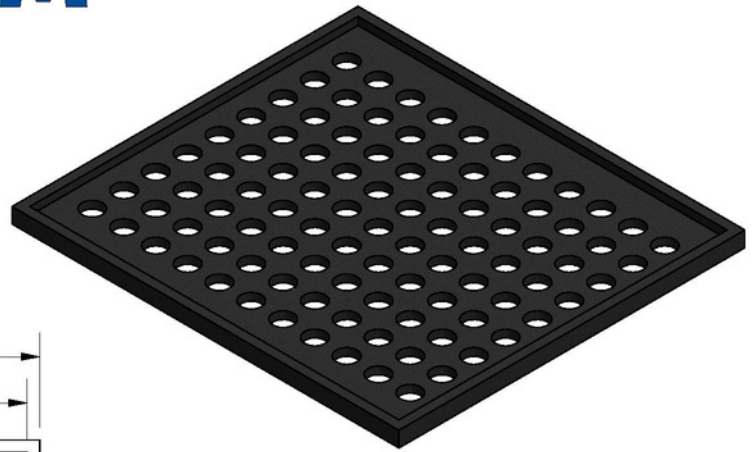
PRODUCT DESCRIPTION

General support pad to be used with MIRO polycarbonate non-penetrating bases. The slip resistant pad is designed to isolate and reduce movement of the MIRO support on the roof surface. The pad is constructed of 100% recycled rubber.

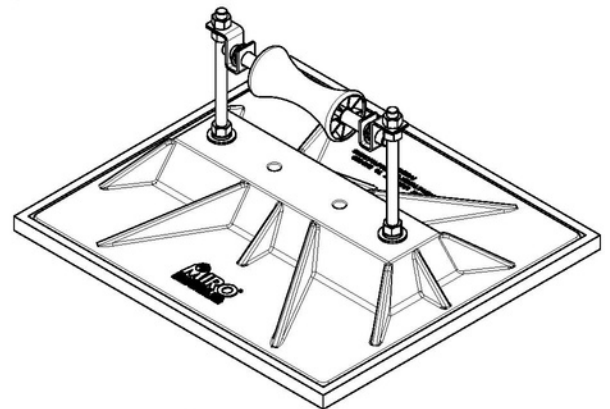
KEY INFORMATION

General support pad to be used with MIRO Models:

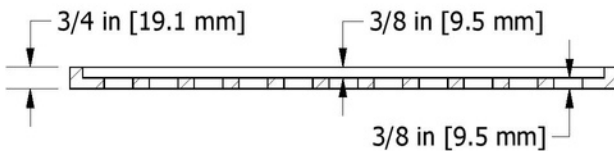
- 1.5
- 3-R-2
- 3-R-4



TOP VIEW



**MIRO 6-RAH-8 (NOT INCLUDED)
ON 16x18 SUPPORT PAD**



SECTION VIEW

PRODUCT DESCRIPTION

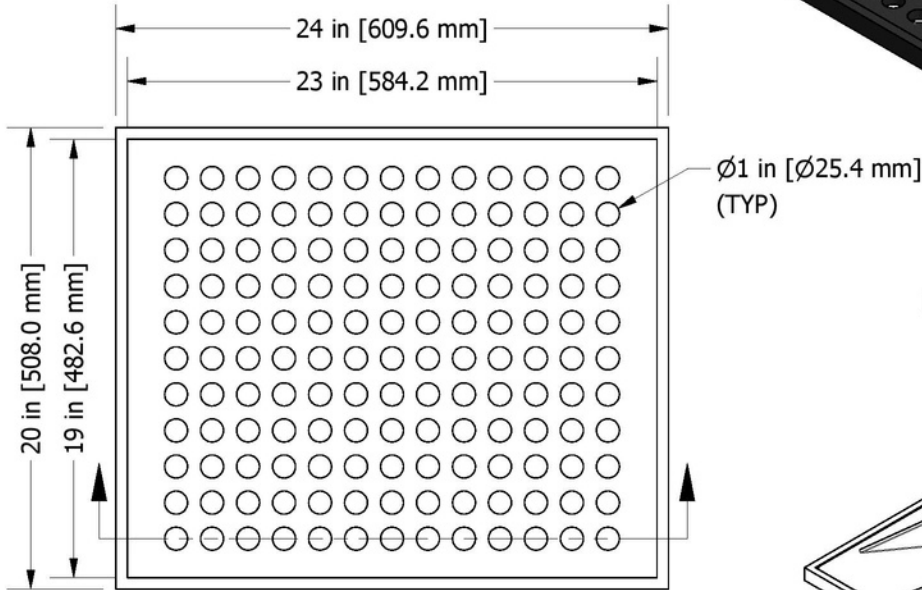
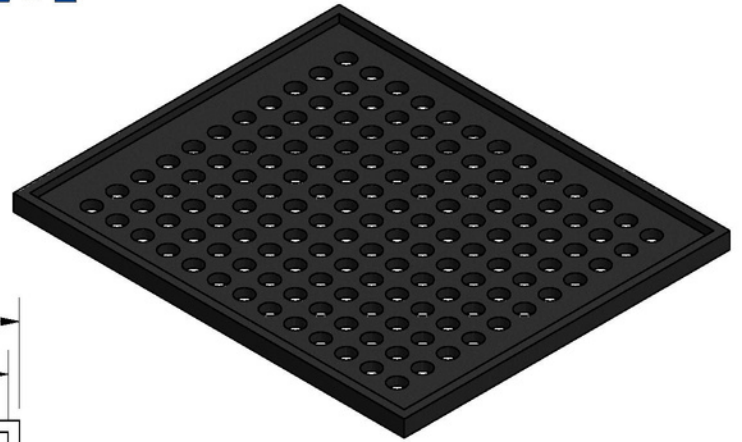
Custom support pad designed specifically to fit the MIRO 16"x18" [406.4x457.2 mm] polycarbonate non-penetrating base. The slip resistant pad is designed with a small lip to hold the base to the pad and reduce movement on the rooftop. The holes in the pad saves weight and allows for venting and drainage. The pad is heat molded using 100% recycled rubber.

KEY INFORMATION

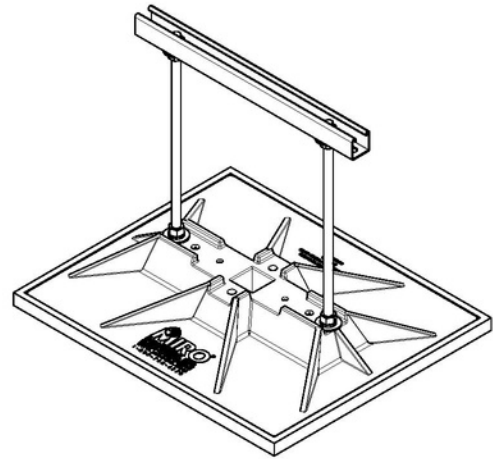
Custom fitted support pad for the MIRO 16"x18" [406.4x457.2 mm] polycarbonate base.

To be used with MIRO Models:

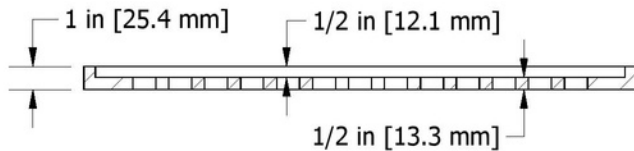
- 6-RAH-8 & 12
- 16-Base Strut-8 & 12
- 8-H Series (qty: 2 min)
- 16-H Series (qty: 4 min)
- 8-DS Series (qty: 2 min)
- HD Mechanical Supports (qty: 4 min)
- Bridge Crossovers, Walkway, Service Platforms & Ramps (qty: varies)



TOP VIEW



**MIRO 20-BASE STRUT-18 (NOT INCLUDED)
ON A 19x23 SUPPORT PAD**



SECTION VIEW

PRODUCT DESCRIPTION

Custom support pad designed specifically to fit the MIRO 19"x23" [482.6x584.2 mm] polycarbonate non-penetrating base. The slip resistant pad is designed with a small lip to hold the base to the pad and reduce movement on the rooftop. The holes in the pad saves weight and allows for venting and drainage. The pad is heat molded using 100% recycled rubber.

KEY INFORMATION

Custom fitted support pad for the MIRO 19"x23" [482.6x584.2 mm] polycarbonate base.

To be used with MIRO Models:

- 10-RAH-8 and 16
- 20-Base Strut-4, 8 & 18
- 10-H Series (qty: 2 min)
- 10-DS Series (qty: 2 min)
- HD Mechanical Supports (qty: 4 min)
- Bridge Crossovers, Walkway, Service Platforms & Ramps (qty: varies)