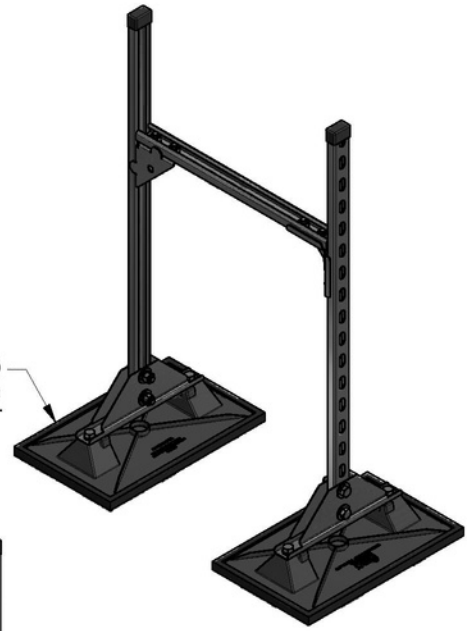
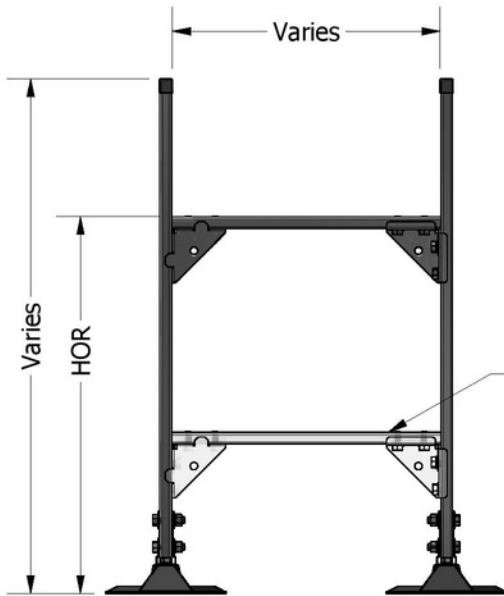
**Top View**

9x15-1/4 SUPPORT PAD  
\*ACCESSORY ITEM\*

**Isometric View****Front View**

LOWER BRACE MAY BE  
REQUIRED ON TALLER  
FRAMES

**Side View****ACCESSORIES**

- 9 x 15-1/4 Support pad
- Cross bracing

**PRODUCT DESCRIPTION**

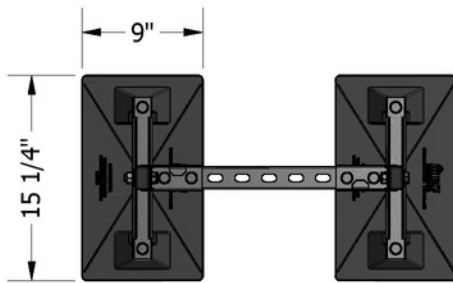
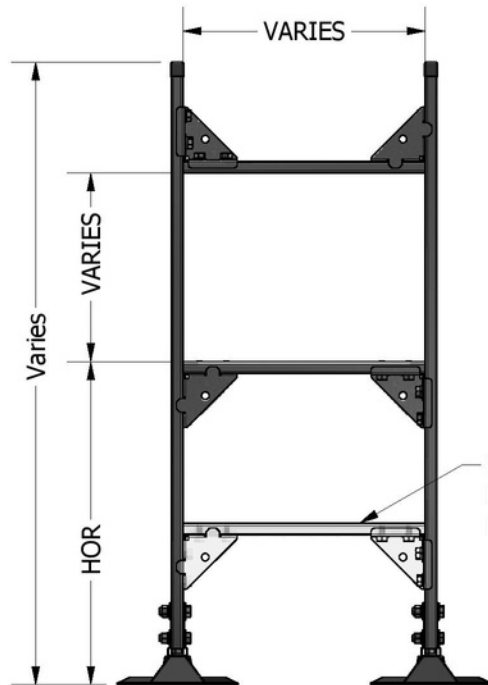
Duct and Cable Trays are designed for single or multiple duct supports and cable trays.

To obtain pricing for the 6DS model, call your local representative and have the following information available:

1. Specify number of supports needed or provide a roof top duct layout drawing and MIRO Ind. will provide a support layout drawing and take off.
2. Outside Dimensions of duct (Width x Height)
3. Duct material (gauge thickness)
4. Clearance height above roof (HOR)
5. Exterior insulation thickness (if any)
6. Does the duct need to be enclosed?

**KEY INFORMATION**

- The 6DS series support is engineered to ensure member/component capacities and deflection criteria are not exceeded.
- Maximum loading from any MIRO base to the finished roof surface is not to exceed 3.0 psi (335 lbs/base) unless specifically allowed otherwise in the project specifications.
- Deflection in the horizontal header bar is not to exceed the span length by 360 or 1/8".
- Frame is designed for gravity loading only.
- Recommended spacing is not to exceed 8 feet centers depending upon the load.
- Width and height are built job specific based on information provided to MIRO Ind. with a minimum height of 12"
- Frame is made with 12 Gauge Channel; size is determined during design
- Base Material: Polycarbonate
- All metal parts are hot dip galvanized

**TOP VIEW****FRONT VIEW**

9x15-1/4 SUPPORT PAD  
\*ACCESSORY ITEM\*

**Isometric View****SIDE VIEW**

LOWER BRACE MAY BE  
REQUIRED ON TALLER  
FRAMES

**ACCESSORIES**

- 9 x 15-1/4 Support pad
- Cross bracing

**PRODUCT DESCRIPTION**

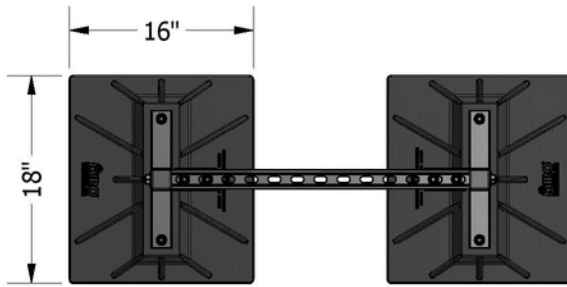
Duct and Cable Trays are designed for single or multiple duct supports and cable trays.

To obtain pricing for the 6DS model, call your local representative and have the following information available:

1. Specify number of supports needed or provide a roof top duct layout drawing and MIRO Ind. will provide a support layout drawing and take off.
2. Dimensions of duct (Width x Height, or Diam)
3. Duct material (gauge thickness)
4. Clearance height above roof (HOR)
5. Exterior insulation thickness (if any)

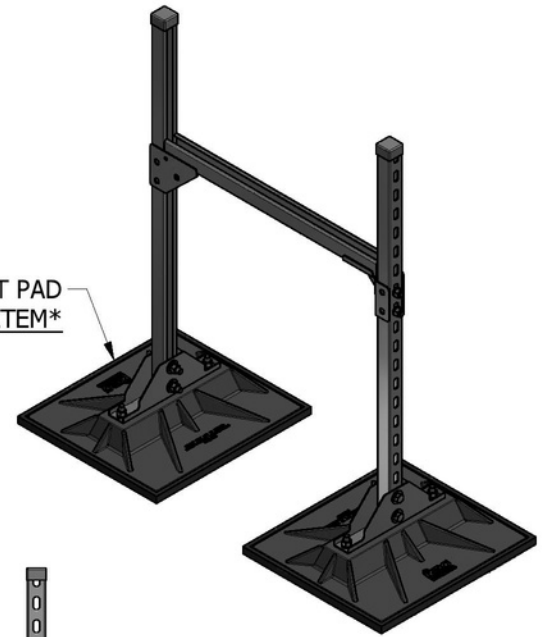
**KEY INFORMATION**

- The 6DS series support is engineered to ensure member/component capacities and deflection criteria are not exceeded.
- Maximum loading from any MIRO base to the finished roof surface is not to exceed 3.0 psi (335 lbs/base) unless specifically allowed otherwise in the project specifications.
- Deflection in the horizontal header bar is not to exceed the span length by 360 or 1/8".
- Frame is designed for gravity loading only.
- Recommended spacing is not to exceed 8 feet centers depending upon the load.
- Width and height are built job specific based on information provided to MIRO Ind. with a minimum height of 12"
- Frame is made with 12 Gauge Channel; size is determined during design.
- Base Material: Polycarbonate
- All metal parts are hot dip galvanized

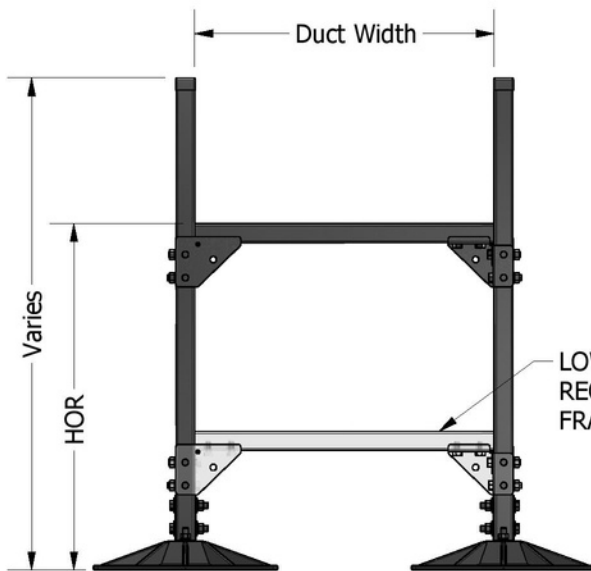


**Top View**

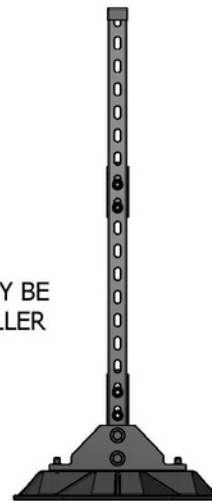
16x18 SUPPORT PAD  
\*ACCESSORY ITEM\*



**Isometric View**



**Front View**



**Side View**

**ACCESSORIES**

- 16 x 18 Support pad
- Cross bracing

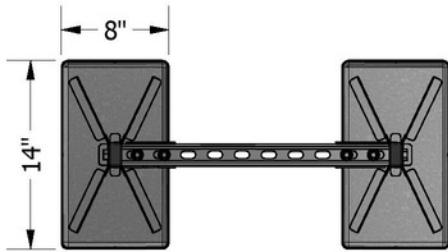
**PRODUCT DESCRIPTION**

Duct and Cable Trays are designed for single or multiple duct supports and cable trays. To obtain pricing for the 8DS model, call your local representative and have the following information available:

1. Specify number of supports needed or provide a roof top duct layout drawing and MIRO Ind. will provide a support layout drawing and take off.
2. Dimensions of duct (Width x Height, or Diam)
3. Duct material (gauge thickness)
4. Clearance height above roof (HOR)
5. Exterior insulation thickness (if any)
6. Does duct need to be enclosed?

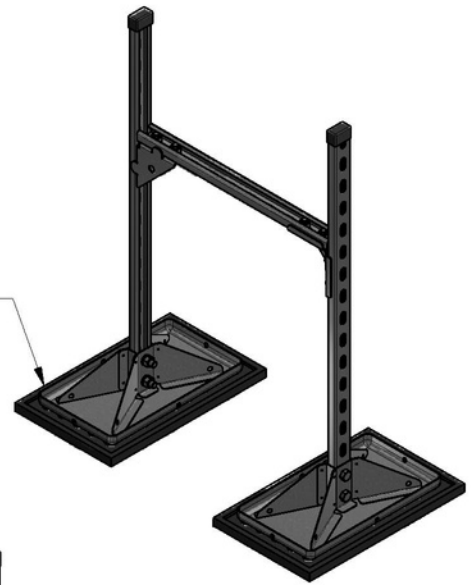
**KEY INFORMATION**

- The 8DS series support is engineered to ensure member/component capacities and deflection criteria are not exceeded.
- Maximum loading from any MIRO base to the finished roof surface is not to exceed 3.0 psi (578 lbs/base) unless specifically allowed otherwise in the project specifications.
- Deflection in the horizontal header bar is not to exceed the span length by 360 or 1/8".
- Frame is designed for gravity loading only.
- Recommended spacing is not to exceed 8 feet centers depending upon the load.
- Width and height are built job specific based on information provided to MIRO Ind. with a minimum height of 12".
- Frame is made with 12 Gauge Channel; size is determined during design.
- Base Material: Polycarbonate
- All metal parts are hot dip galvanized

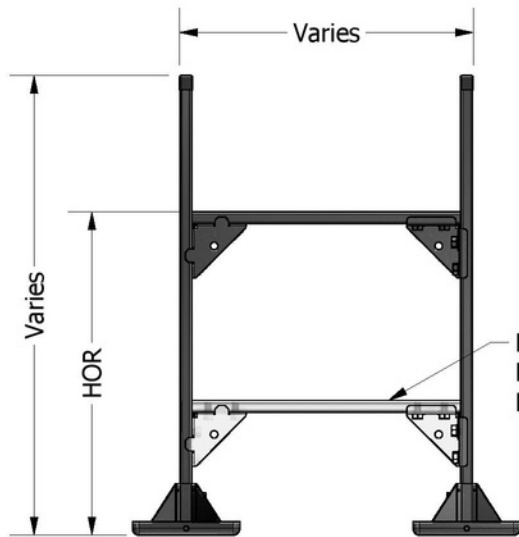


**Top View**

9x15-1/4 SUPPORT PAD  
\*ACCESSORY ITEM\*



**Isometric View**



**Front View**

LOWER BRACE MAY BE  
REQUIRED ON TALLER  
FRAMES



**Side View**

**ACCESSORIES**

- 9 x 15-1/4 Support Pad
- Cross Bracing

**PRODUCT DESCRIPTION**

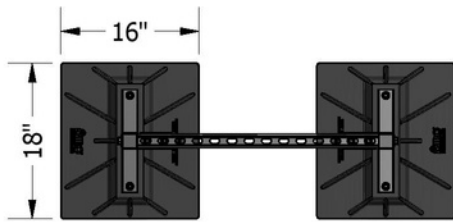
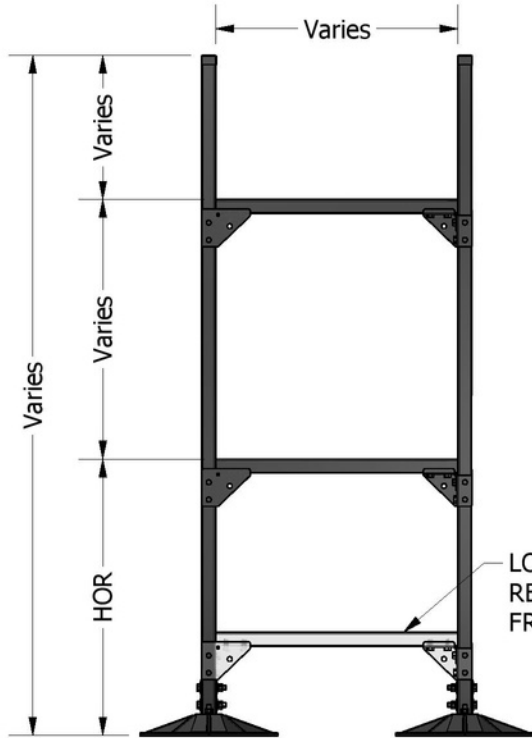
Duct and Cable Trays are designed for single or multiple duct supports and cable trays.

To obtain pricing for the 6DS model, call your local representative and have the following information available:

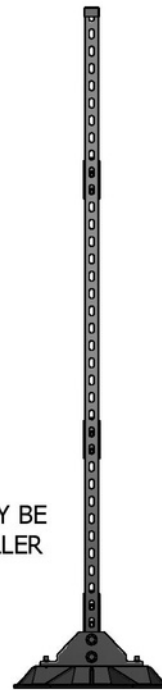
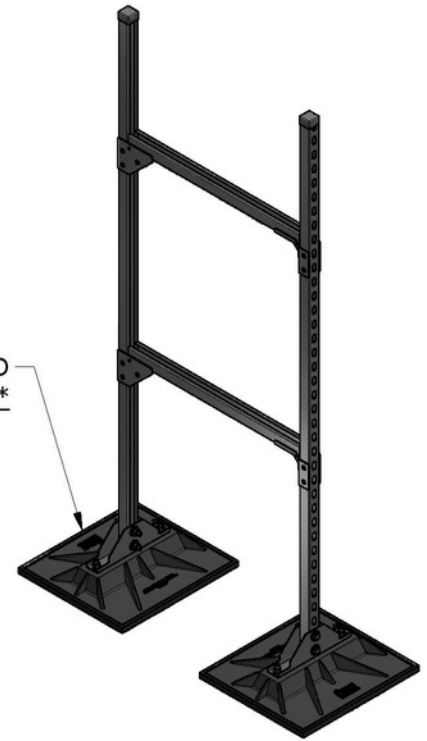
1. Specify number of supports needed or provide a roof top duct layout drawing and MIRO Ind. will provide a support layout drawing and take off.
2. Dimensions of duct (Width x Height, or Diam)
3. Duct material (gauge thickness)
4. Clearance height above roof (HOR)
5. Exterior insulation thickness (if any)
6. Does duct need to be enclosed?

**KEY INFORMATION**

- The 6DS series support is engineered to ensure member/component capacities and deflection criteria are not exceeded.
- Maximum loading from any MIRO base to the finished roof surface is not to exceed 3.0 psi (288 lbs/base) unless specifically allowed otherwise in the project specifications.
- Deflection in the horizontal header bar is not to exceed the span length by 360 or 1/8".
- Frame is designed for gravity loading only.
- Recommended spacing is not to exceed 8 feet centers depending upon the load.
- Width and height are built job specific based on information provided to MIRO Ind. with a minimum height of 12".
- Frame is made with 12 Gauge Channel; size is determined during design.
- Base Material: Hot dip galvanized or stainless steel
- All metal parts are hot dip galvanized or stainless steel

**TOP VIEW****SIDE VIEW**

16x18 SUPPORT PAD  
\*ACCESSORY ITEM\*

**END VIEW****ISOMETRIC VIEW****ACCESSORIES**

- 16 x 18 Support pad
- Cross bracing

**PRODUCT DESCRIPTION**

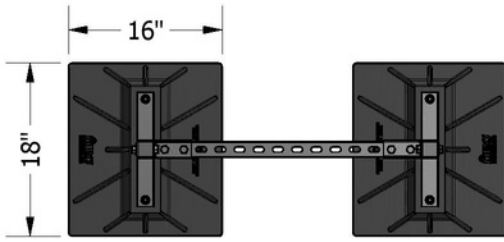
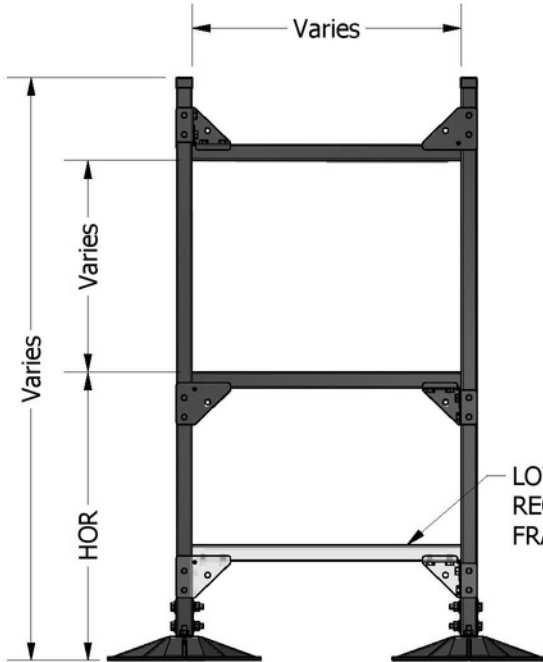
Duct and Cable Trays are designed for single or multiple duct supports and cable trays.

To obtain pricing for the 8DS model, call your local representative and have the following information available:

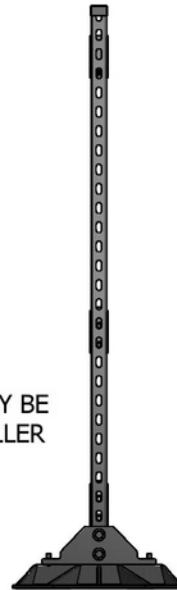
1. Specify number of supports needed or provide a roof top duct layout drawing and MIRO Ind. will provide a support layout drawing and take off.
2. Dimensions of duct (Width x Height or Diam)
3. Duct material (gauge thickness)
4. Clearance height above roof (HOR)
5. Exterior insulation thickness (if any)
6. Does duct need to be enclosed?

**KEY INFORMATION**

- The 8DS series support is engineered to ensure member/component capacities and deflection criteria are not exceeded.
- Maximum loading from any MIRO base to the finished roof surface is not to exceed 3.0 psi (578 lbs/base) unless specifically allowed otherwise in the project specifications.
- Deflection in the horizontal header bar is not to exceed the span length by 360 or 1/8".
- Frame is designed for gravity loading only.
- Recommended spacing is not to exceed 8 feet centers depending upon the load.
- Width and height are built job specific based on information provided to MIRO Ind. with a minimum height of 12"
- Frame is made with 12 Gauge Channel; size is determined during design.
- Base Material: Polycarbonate
- All metal parts are hot dip galvanized

**Top View****Front View**

16x18 SUPPORT PAD  
\*ACCESSORY ITEM\*

**Isometric View****Side View****ACCESSORIES**

- 16 x 18 Support pad
- Cross bracing

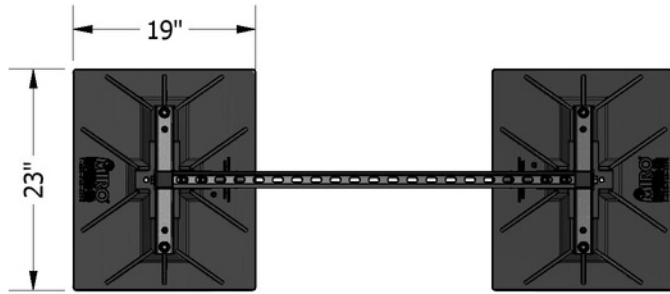
**PRODUCT DESCRIPTION**

Duct and Cable Trays are designed for single or multiple duct supports and cable trays. To obtain pricing for the 8DS model, call your local representative and have the following information available:

1. Specify number of supports needed or provide a roof top duct layout drawing and MIRO Ind. will provide a support layout drawing and take off.
2. Dimensions of duct (Width x Height or Diam)
3. Duct material (gauge thickness)
4. Clearance height above roof (HOR)
5. Exterior insulation thickness (if any)

**KEY INFORMATION**

- The 8DS series support is engineered to ensure member/component capacities and deflection criteria are not exceeded.
- Maximum loading from any MIRO base to the finished roof surface is not to exceed 3.0 psi (578 lbs/base) unless specifically allowed otherwise in the project specifications.
- Deflection in the horizontal header bar is not to exceed the span length by 360 or 1/8".
- Frame is designed for gravity loading only.
- Recommended spacing is not to exceed 8 feet centers depending upon the load.
- Width and height are built job specific based on information provided to MIRO Ind. with a minimum height of 12"
- Frame is made with 12 Gauge Channel; size is determined during design
- Base Material: Polycarbonate
- All metal parts are hot dip galvanized

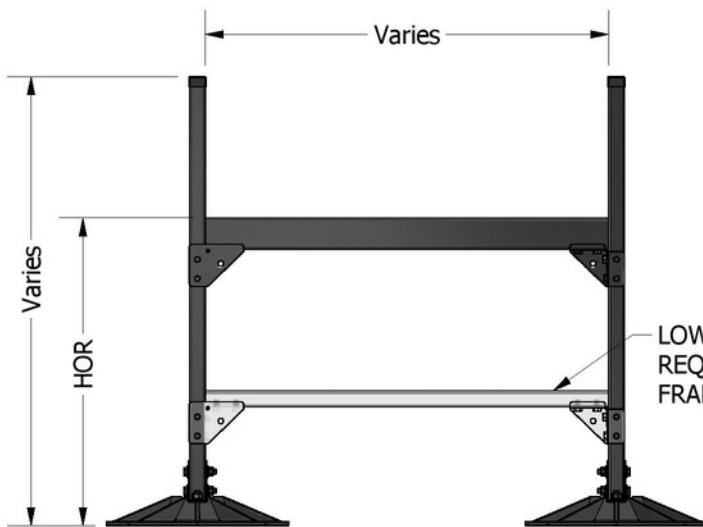


**Top View**



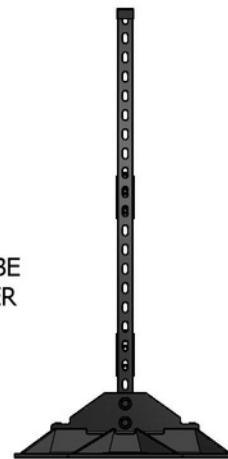
19x23 SUPPORT PAD  
\*ACCESSORY ITEM\*

**Isometric View**



**Front View**

LOWER BRACE MAY BE  
REQUIRED ON TALLER  
FRAMES



**Side View**

**ACCESSORIES**

- 19 x 23 Support pad
- Cross bracing

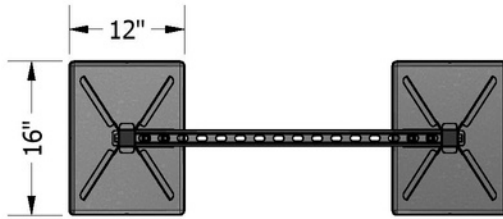
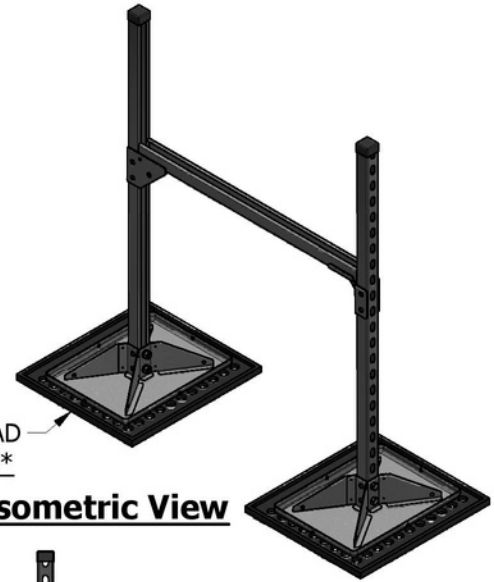
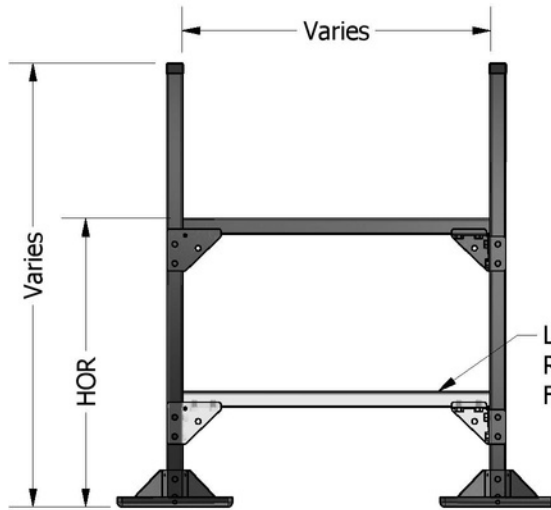
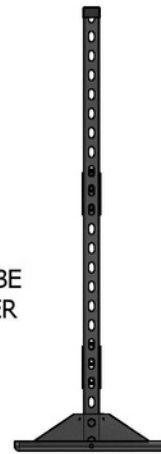
**PRODUCT DESCRIPTION**

Duct and Cable Trays are designed for single or multiple duct supports and cable trays. To obtain pricing for the 10DS model, call your local representative and have the following information available:

1. Specify number of supports needed or provide a roof top duct layout drawing and MIRO Ind. will provide a support layout drawing and take off.
2. Dimensions of duct (Width x Height or Diam)
3. Duct material (gauge thickness)
4. Clearance height above roof (HOR)
5. Exterior insulation thickness (if any)
6. Does duct need to be enclosed?

**KEY INFORMATION**

- The 10DS series support is engineered to ensure member/component capacities and deflection criteria are not exceeded.
- Maximum loading from any MIRO base to the finished roof surface is not to exceed 3.0 psi (960 psi/base) unless specifically allowed otherwise in the project specifications.
- Deflection in the horizontal header bar is not to exceed the span length by 360 or 1/8".
- Frame is designed for gravity loading only.
- Recommended spacing is not to exceed 8 feet centers depending upon the load.
- Width and height are built job specific based on information provided to MIRO Ind. with a minimum height of 12"
- Frame is made with 12 ga strut; size is determined during design.
- Base Material: Polycarbonate
- All metal parts are hot dip galvanized

**Top View****Isometric View****Front View****Side View****ACCESSORIES**

- 16 x 18 Support Pad
- Cross bracing

**PRODUCT DESCRIPTION**

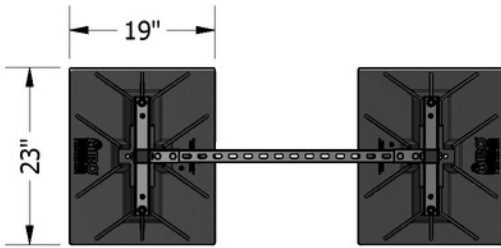
Duct and Cable Trays are designed for single or multiple duct supports and cable trays. To obtain pricing for the 8DS model, call your local representative and have the following information available:

1. Specify number of supports needed or provide a roof top duct layout drawing and MIRO Ind. will provide a support layout drawing and take off.
2. Dimensions of duct (Width x Height or Diam)
3. Duct material (gauge thickness)
4. Clearance height above roof (HOR)
5. Exterior insulation thickness (if any)
6. Does duct need to be enclosed?

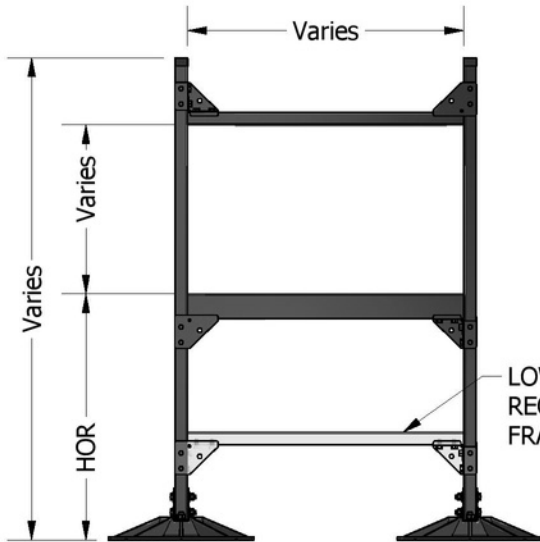
**KEY INFORMATION**

- The 8DS series support is engineered to ensure member/component capacities and deflection criteria are not exceeded.
- Maximum loading from any MIRO base to the finished roof surface is not to exceed 3.0 psi (529 lbs/base) unless specifically allowed otherwise in the project specifications.
- Deflection in the horizontal header bar is not to exceed the span length by 360 or 1/8".
- Frame is designed for gravity loading only.
- Recommended spacing is not to exceed 8 feet centers depending upon the load.
- Width and height are built job specific based on information provided to MIRO Ind. with a minimum height of 12"
- Frame is made with 12 Gauge Channel; size is determined during design.
- Base Material: Hot dip galvanized or stainless steel.
- All metal parts are hot dip galvanized or stainless steel



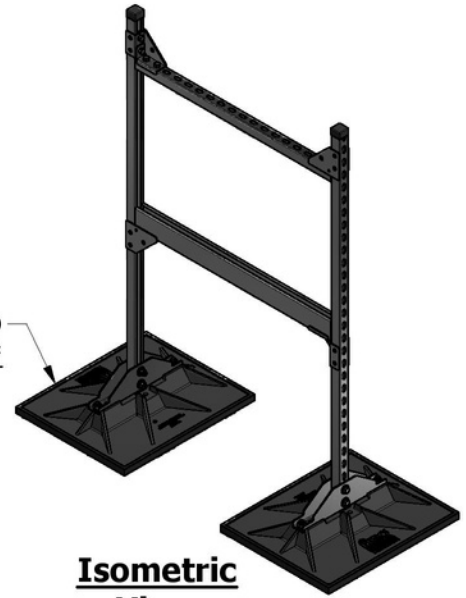


**Top View**

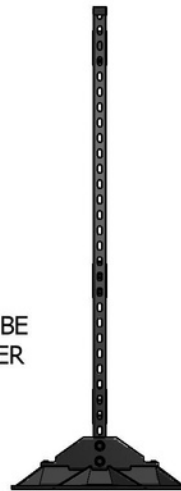


**Front View**

19x23 SUPPORT PAD  
\*ACCESSORY ITEM\*



**Isometric View**



**Side View**

LOWER BRACE MAY BE  
REQUIRED ON TALLER  
FRAMES

**ACCESSORIES**

- 19 x 23 Support pad
- Cross bracing

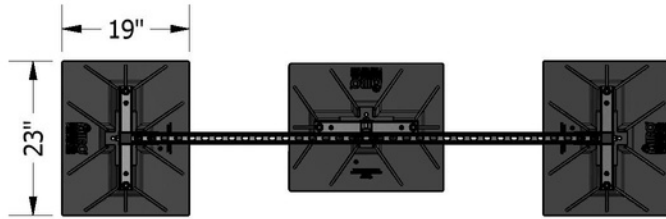
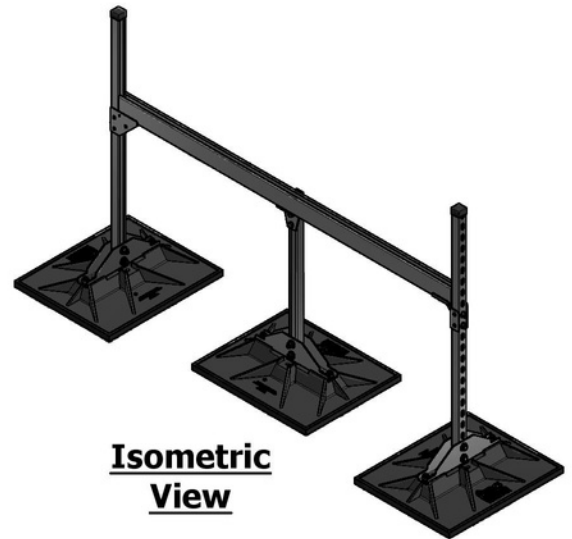
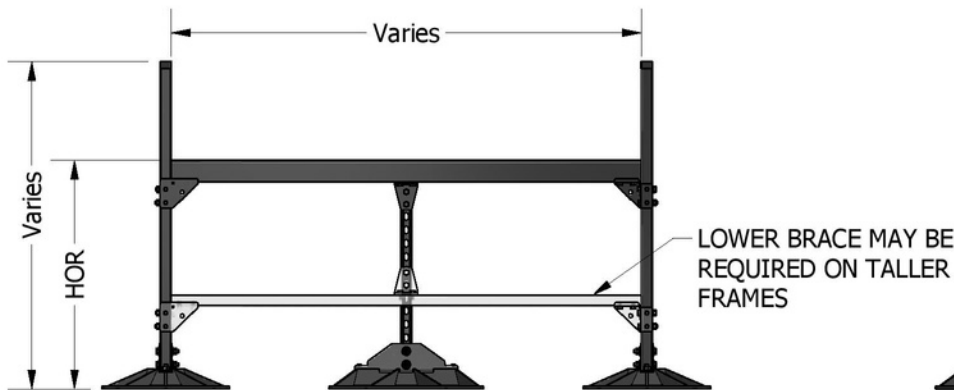
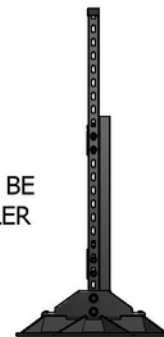
**PRODUCT DESCRIPTION**

Duct and Cable Trays are designed for single or multiple duct supports and cable trays. To obtain pricing for the 10DS model, call your local representative and have the following information available:

1. Specify number of supports needed or provide a roof top duct layout drawing and MIRO Ind. will provide a support layout drawing and take off.
2. Dimensions of duct (Width x Height or Diam)
3. Duct material (gauge thickness)
4. Clearance height above roof (HOR)
5. Exterior insulation thickness (if any)

**KEY INFORMATION**

- The 10DS series support is engineered to ensure member/component capacities and deflection criteria are not exceeded.
- Maximum loading from any MIRO base to the finished roof surface is not to exceed 3.0 psi (960 lbs/base) unless specifically allowed otherwise in the project specifications.
- Deflection in the horizontal header bar is not to exceed the span length by 360 or 1/8".
- Frame is designed for gravity loading only.
- Recommended spacing is not to exceed 8 feet centers depending upon the load.
- Width and height are built job specific based on information provided to MIRO Ind. with a minimum height of 12"
- Frame is made with 12 Gauge Channel; size is determined during design.
- Base Material: Polycarbonate
- All metal parts are hot dip galvanized

**Top View****Isometric View****Front View****Side View****ACCESSORIES**

- 19 x 23 Support pad
- Cross bracing

**PRODUCT DESCRIPTION**

Duct and Cable Trays are designed for single or multiple duct supports and cable trays.

To obtain pricing for the 10DS model, call your local representative and have the following information available:

1. Specify number of supports needed or provide a roof top duct layout drawing and MIRO Ind. will provide a support layout drawing and take off.
2. Dimensions of duct (Width x Height or Diam)
3. Duct material (gauge thickness)
4. Clearance height above roof (HOR)
5. Exterior insulation thickness (if any)
6. Does duct need to be enclosed?

**KEY INFORMATION**

- The 10DS series support is engineered to ensure member/component capacities and deflection criteria are not exceeded.
- Maximum loading from any MIRO base to the finished roof surface is not to exceed 3.0 psi (960 lbs/base) unless specifically allowed otherwise in the project specifications.
- Deflection in the horizontal header bar is not to exceed the span length by 360 or 1/8".
- Frame is designed for gravity loading only.
- Recommended spacing is not to exceed 8 feet centers depending upon the load.
- Width and height are built job specific based on information provided to MIRO Ind. with a minimum height of 12"
- Frame is made with 12 Gauge Channel; size is determined during design
- Base Material: Polycarbonate
- All metal parts are hot dip galvanized