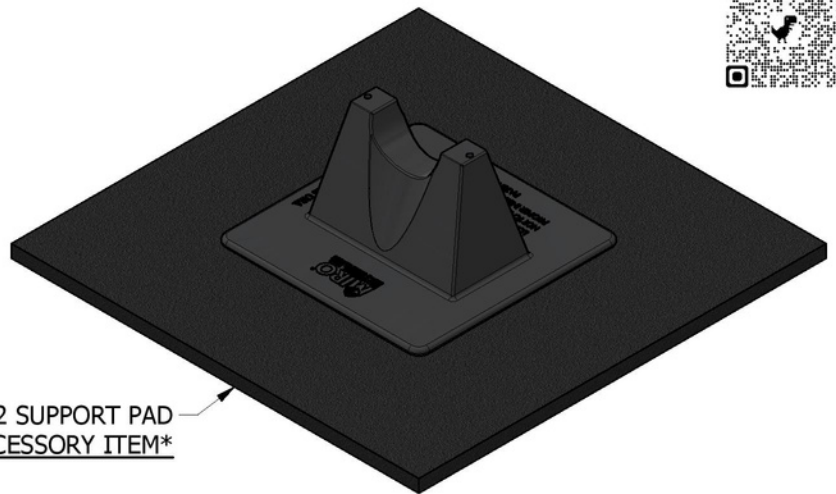
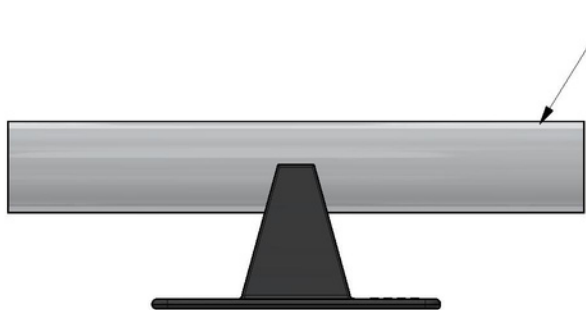


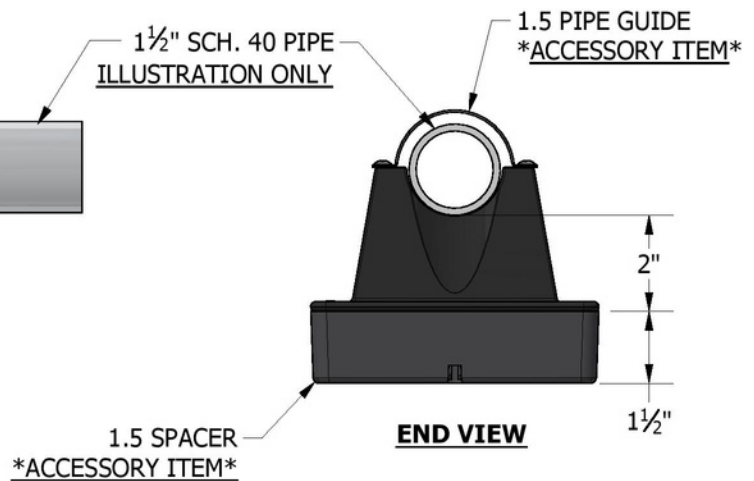
**TOP VIEW**



**ISOMETRIC VIEW**



**SIDE VIEW**



**END VIEW**

**ACCESSORIES**

- 1.5 pipe guide
- 1.5 spacer
- 12x12 Support pad
- Eternabond® 2-sided tape

**PRODUCT DESCRIPTION**

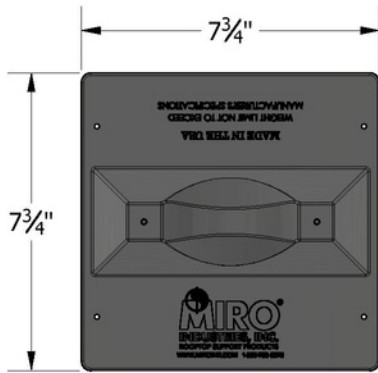
A pipe support used to support roof-mounted gas pipes, electrical conduit, solar piping and other mechanical piping. Unique design absorbs thermal expansion and contraction of pipes thus preventing damage to the roof membrane. Pipes rest in a 'U' shaped cradle situated in a polycarbonate resin base.

**KEY INFORMATION**

- Support is optimized to carry up to a 1-1/2" pipe.
- Maximum pipe OD for the support is 1.9".
- Pipe clearance is 2"
- 1.5 Spacer accessory adds an additional 1-1/2" of height per spacer. Manufacturer recommends a maximum of (2) spacer be used.
- Maximum load is 72 lbs. based on 3.0 psi to the roof deck. Even load required.
- Unit Weight: 0.34 lbs.
- 48 per case (22 lbs.)
- Recommended spacing is not to exceed 7' centers depending upon the load.
- 20 Year Warranty

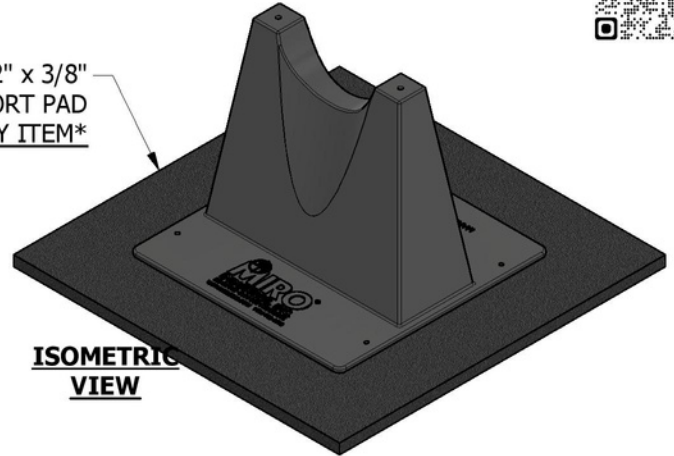
**MATERIAL INFORMATION**

- Base Material: Polycarbonate

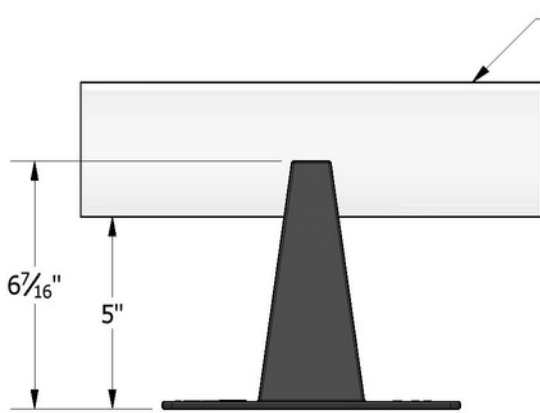


**TOP VIEW**

12" x 12" x 3/8"  
SUPPORT PAD  
\*ACCESSORY ITEM\*



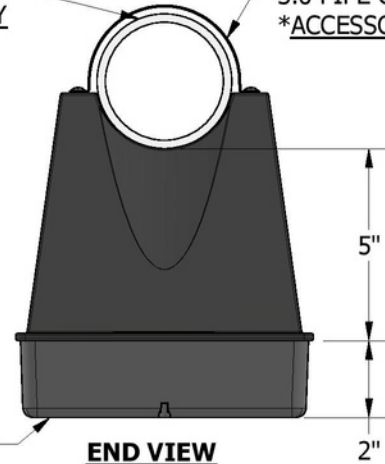
**ISOMETRIC VIEW**



**SIDE VIEW**

3" SCH. 40 PIPE  
ILLUSTRATION ONLY

3.0 PIPE GUIDE  
\*ACCESSORY ITEM\*



3-R SPACER  
\*ACCESSORY ITEM\*

**END VIEW**

**ACCESSORIES**

- 3.0 pipe guide
- 3-R spacer
- 12x12 Support pad
- Eternabond® 2-sided tape

**PRODUCT DESCRIPTION**

A pipe support used to support roof-mounted gas pipes, electrical conduit, solar piping and other mechanical piping.

Unique design absorbs thermal expansion and contraction of pipes thus preventing damage to the roof membrane.

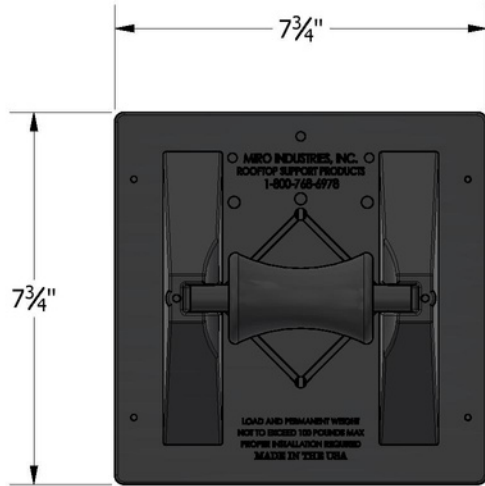
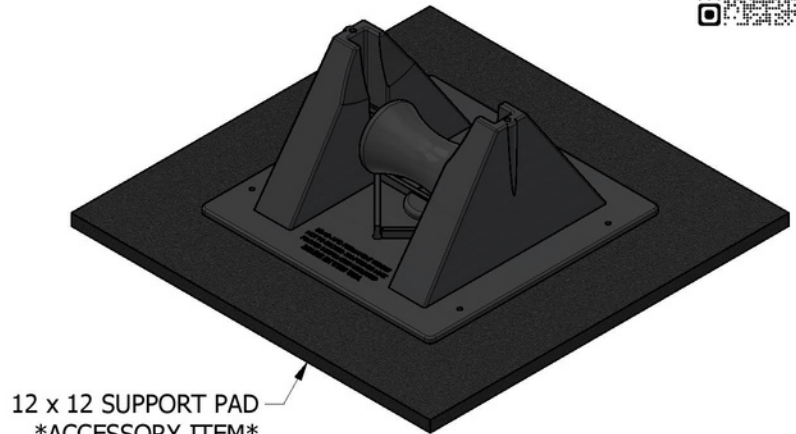
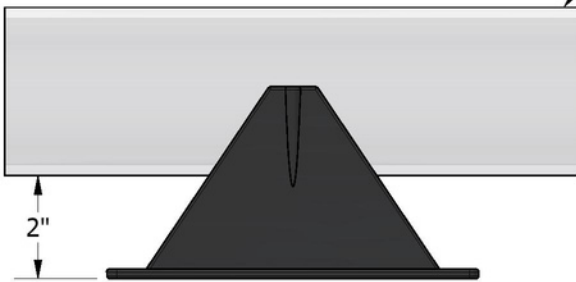
Pipes rest in a 'U' shaped cradle situated in a polycarbonate resin base.

**KEY INFORMATION**

- Support is optimized to carry up to a 3" pipe.
- Maximum pipe OD for the support is 3.6".
- Pipe clearance is 5"
- 3-R Spacer accessory adds an additional 2" of height per spacer. Manufacturer recommends a maximum of (2) spacer be used.
- Maximum load is 120 lbs. based on 3.0 psi to the roof deck. Even load required.
- Unit Weight: 1.13 lbs.
- 24 per case (20 lbs.)
- Recommended spacing is not to exceed 10' centers depending upon the load.
- 20 Year Warranty

**MATERIAL INFORMATION**

- Base Material: Polycarbonate

**TOP VIEW**12 x 12 SUPPORT PAD  
\*ACCESSORY ITEM\***ISOMETRIC VIEW****SIDE VIEW**3-R SPACER  
\*ACCESSORY ITEM\***END VIEW****ACCESSORIES**

- 3-R-2 pipe guide
- 3-R spacer
- Support pad
- Eternabond® 2-sided tape

**PRODUCT DESCRIPTION**

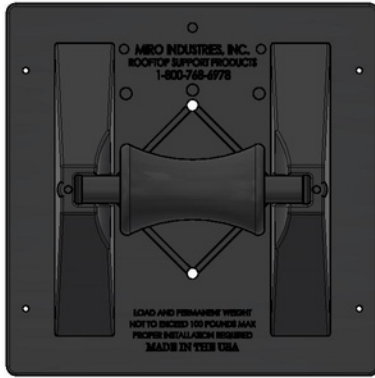
A "roller-bearing" pipe support used to support roof-mounted gas pipes, electrical conduit, solar piping and other mechanical piping. Unique design absorbs thermal expansion and contraction of pipes thus preventing damage to the roof membrane. Pipes rest on a polycarbonate resin roller and a rod situated in a polycarbonate resin seat.

**KEY INFORMATION**

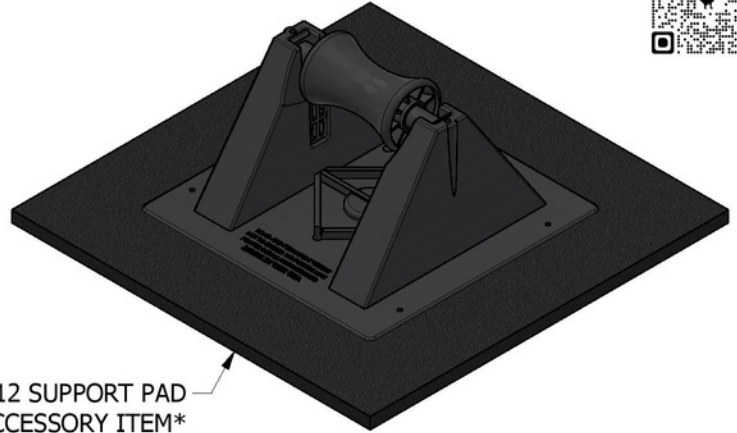
- Support is optimized to carry up to a 3" pipe.
- Maximum pipe OD for the support is 3-3/4".
- Pipe clearance is 2"
- 3-R Spacer accessory adds an additional 2" of height per spacer. Manufacturer recommends a maximum of (2) spacer be used.
- Maximum load is 118 lbs. based on 3.0 psi to the roof deck. Even load required.
- Unit Weight: 1.03 lbs.
- 24 per case (26 lbs.)
- Recommended spacing is not to exceed 7' centers depending upon the load.
- 20 Year Warranty

**MATERIAL INFORMATION**

- Base Material: Polycarbonate
- Axle and Roller Material: Polycarbonate

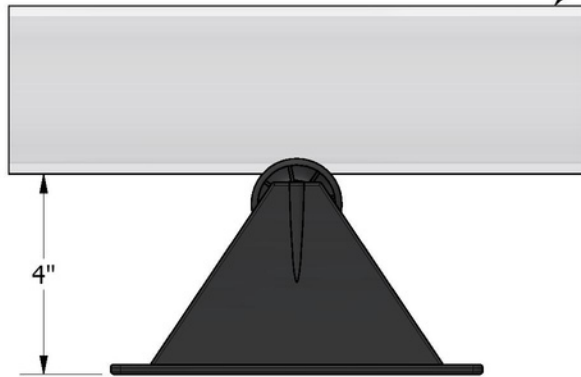


**TOP VIEW**



12 x 12 SUPPORT PAD  
\*ACCESSORY ITEM\*

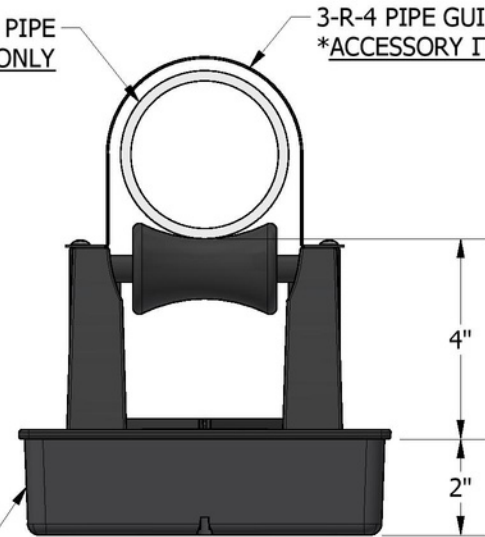
**ISOMETRIC VIEW**



**SIDE VIEW**

3" SCH. 40 PIPE  
ILLUSTRATION ONLY

3-R-4 PIPE GUIDE  
\*ACCESSORY ITEM\*



3-R SPACER  
\*ACCESSORY ITEM\*

**END VIEW**

**ACCESSORIES**

- 3-R-4 pipe guide
- 3-R spacer
- Support pad
- Eternabond® 2-sided tape

**PRODUCT DESCRIPTION**

A "roller-bearing" pipe support used to support roof-mounted gas pipes, electrical conduit, solar piping and other mechanical piping. Unique design absorbs thermal expansion and contraction of pipes thus preventing damage to the roof membrane. Pipes rest on a polycarbonate resin roller and a rod situated in a polycarbonate resin seat.

**KEY INFORMATION**

- Support is optimized to carry up to a 3" pipe.
- Maximum pipe OD for the support is 3-3/4".
- Pipe clearance is 4"
- 3-R Spacer accessory adds an additional 2" of height per spacer. Manufacturer recommends a maximum of (2) spacer be used.
- Maximum load is 118 lbs. based on 3.0 psi to the roof deck. Even load required.
- Unit Weight: 1.08 lbs.
- 24 per case (27 lbs.)
- Recommended spacing is not to exceed 7' centers depending upon the load.
- 20 Year Warranty

**MATERIAL INFORMATION**

- Base Material: Polycarbonate
- Axle and Roller Material: Polycarbonate